

Acer Altos G500

User's guide

Copyright © 2001 Acer Incorporated
All Rights Reserved.

Acer Altos G500
User's guide

Changes may be made periodically to the information in this publication without obligation to notify any person of such revision or changes. Such changes will be incorporated in new editions of this manual or supplementary documents and publications. This company makes no representations or warranties, either expressed or implied, with respect to the contents hereof and specifically disclaims the implied warranties of merchantability or fitness for a particular purpose.

Record the model number, serial number, purchase date, and place of purchase information in the space provided below. The serial number and model number are recorded on the label affixed to your computer. All correspondence concerning your unit should include the serial number, model number, and purchase information.

No part of this publication may be reproduced, stored in a retrieval system, or transmitted, in any form or by any means, electronic, mechanical, photocopy, recording, or otherwise, without the prior written permission of Acer Incorporated.

Model Number : _____

Serial Number: _____

Purchase Date: _____

Place of Purchase: _____

Acer and the Acer Logo are registered trademarks of Acer Inc. Other company's product names or trademarks are used herein for identification purposes only and belong to their respective companies.

Notices

FCC notice

This device has been tested and found to comply with the limits for a Class B digital device pursuant to Part 15 of the FCC Rules. These limits are designed to provide reasonable protection against harmful interference in a residential installation. This device generates, uses, and can radiate radio frequency energy, and if not installed and used in accordance with the instructions, may cause harmful interference to radio communications.

However, there is no guarantee that interference will not occur in a particular installation. If this device does cause harmful interference to radio or television reception, which can be determined by turning the device off and on, the user is encouraged to try to correct the interference by one or more of the following measures:

- Reorient or relocate the receiving antenna
- Increase the separation between the device and receiver
- Connect the device into an outlet on a circuit different from that to which the receiver is connected
- Consult the dealer or an experienced radio/television technician for help

Notice: Shield cables

All connections to other computing devices must be made using shielded cables to maintain compliance with FCC regulations.

Notice: Peripheral devices

Only peripherals (input/output devices, terminals, printers, etc.) certified to comply with the Class B limits may be attached to this equipment. Operation with noncertified peripherals is likely to result in interference to radio and TV reception.



.....

Caution! Changes or modifications not expressly approved by the manufacturer could void the user's authority, which is granted by the Federal Communications Commission, to operate this computer.

Use conditions

This part complies with Part 15 of the FCC Rules. Operation is subject to the following two conditions: (1) this device may not cause harmful interference, and (2) this device must accept any interference received, including interference that may cause undesired operation.

Notice: Canadian users

This Class B digital apparatus meets all requirements of the Canadian Interference-Causing Equipment Regulations.

Remarque à l'intention des utilisateurs canadiens

Cet appareil numérique de la classe B respecte toutes les exigences du Règlement sur le matériel brouilleur du Canada.

Important safety instructions

Read these instructions carefully. Save these instructions for future reference.

- 1 Follow all warnings and instructions marked on the product.
- 2 Unplug this product from the wall outlet before cleaning. Do not use liquid cleaners or aerosol cleaners. Use a damp cloth for cleaning.
- 3 Do not use this product near water.
- 4 Do not place this product on an unstable cart, stand, or table. The product may fall, causing serious damage to the product.
- 5 Slots and openings in the cabinet and the back or bottom are provided for ventilation; to ensure reliable operation of the product and to protect it from overheating, these openings must not be blocked or covered. The openings should never be blocked by placing the product on a bed, sofa, rug, or other similar surface. This product should never be placed near or over a radiator or heat register, or in a built-in installation unless proper ventilation is provided.
- 6 This product should be operated from the type of power indicated on the marking label. If you are not sure of the type of power available, consult your dealer or local power company.

- 7 Do not allow anything to rest on the power cord. Do not locate this product where persons will walk on the cord.
- 8 If an extension cord is used with this product, make sure that the total ampere rating of the equipment plugged into the extension cord does not exceed the extension cord ampere rating. Also, make sure that the total rating of all products plugged into the wall outlet does not exceed the fuse rating.
- 9 Never push objects of any kind into this product through cabinet slots as they may touch dangerous voltage points or short out parts that could result in a fire or electric shock. Never spill liquid of any kind on the product.
- 10 Do not attempt to service this product yourself, as opening or removing covers may expose you to dangerous voltage points or other risks. Refer all servicing to qualified service personnel.
- 11 Unplug this product from the wall outlet and refer servicing to qualified service personnel under the following conditions:
 - a When the power cord or plug is damaged or frayed
 - b If liquid has been spilled into the product
 - c If the product has been exposed to rain or water
 - d If the product does not operate normally when the operating instructions are followed. Adjust only those controls that are covered by the operating instructions since improper adjustment of other controls may result in damage and will often require extensive work by a qualified technician to restore the product to normal condition.
 - e If the product has been dropped or the cabinet has been damaged
 - f If the product exhibits a distinct change in performance, indicating a need for service.
- 12 Replace the battery with the same type as the product's battery we recommend. Use of another battery may present a risk of fire or explosion. Refer battery replacement to a qualified serviceman.
- 13 **Warning!** Batteries may explode if not handled properly. Do not disassemble or dispose of them in fire. Keep them away from children and dispose of used batteries promptly.

- 14 Use only the proper type of power supply cord set (provided in your accessories box) for this unit. It should be a detachable type: UL listed/CSA certified, type SPT-2, rated 7A 125V minimum, VDE approved or its equivalent. Maximum length is 15 feet (4.6 meters).

Laser compliance statement

The CD-ROM drive in this computer is a laser product. The CD-ROM drive's classification label (shown below) is located on the drive.

CLASS 1 LASER PRODUCT

CAUTION: INVISIBLE LASER RADIATION WHEN OPEN. AVOID EXPOSURE TO BEAM.

Contents

Notices	iii
FCC notice	iii
Important safety instructions	iv
Laser compliance statement	vi
1 System overview	1
Overview	3
Processors	3
Memory	3
System chipsets	4
Expansion slots	5
Hardware management support	6
Features summary	7
2 System tour	9
External and internal structure	11
Front panel	11
Rear panel	12
Internal components	13
Keyboard	15
Mouse	17
Disk drives	18
3.5-inch floppy drive	18
CD-ROM drive	19
Setting up your system	20
Preinstallation requirements	20
Basic connections	21
Connecting the PS/2 keyboard	21
Connecting the PS/2 mouse	22
Connecting the VGA monitor	23
Connecting to the network	24
Connecting the power cable	25
Turning on your system	26
Power-on problems	27
Turning off your system	28
Connecting options	29
Printer	29
USB devices	30
3 Upgrading your system	31
Installation precautions	33

ESD precautions	33
Preinstallation instructions	33
Post-installation instructions	34
Opening your system	35
Opening the front panel door	35
Removing the front panel door	35
Opening the side panel	36
Mainboard layout	38
Installing the VGA card retainer	41
Installing and removing storage devices	44
Replacing the 3.5-inch floppy drive	44
Replacing a 5.25-inch storage device (optional)	45
Removing and installing the CPU	48
Removing a CPU	48
Installing a CPU	51
Removing and installing memory modules	53
Removing a DIMM	53
Installing a DIMM	54
Installing expansion cards	56
Installing an external redundant system fan (optional)	58
4 BIOS Setup utility	59
BIOS Setup utility	61
Entering Setup	62
System Information	64
Product Information	66
Disk Drives	67
IDE Channel Type	69
Onboard Peripherals	71
Power Management	74
Boot Options	77
Date and Time	79
System Security	80
Setting and changing the password	81
Removing a password	83
IPMI Configuration	84
RDM Configuration	87
Load Default Settings	90
Abort Settings Change	91
Exit Setup	92
Appendix A: ASM Pro quick installation guide	93
Installing ASM Pro	95

System requirements	95
System setup	95
Installing ASM Pro Console	96
Installing ASM Pro Server Agent	96
Installing RDM	103
System requirements	103
Connecting communication peripherals	104
RDM Console setup	107
Installing AWM and Microsoft Internet Information Service (IIS)	109
System requirements	109
Installing AWM	109
Setting up Microsoft IIS	110
Running AWM	111
Index	113

Contents

1 System overview

The Acer Altos G500 server model is a powerful dual-processor system loaded with a host of new and innovative features. The system offers a new standard for flexible productivity ideal for local or wide area networks and multiuser server environments.

Overview

The Acer Altos G500 server model utilizes a PCI bus based dual-processor mainboard built on an ATX baseboard. It comes with a dual FC-PGA (Flip-Chip Pin-Grip Array) processor socket utilizing the Intel® Pentium® III processor integrated with the VIA Pro 266T chipset. The mainboard also integrates the Intel® 82550 10/100 Mbps PCI Ethernet chipset that supports WOL (Wake on LAN) for better remote site management.

For expandability, the mainboard includes one AGP (Accelerated Graphics Port) bus, five PCI bus slots and four DIMM sockets that allow memory installation up to a maximum of 4 GB using 1-GB DDR SDRAM (double data rate Synchronous DRAM) modules.

For connectivity, the mainboard provides two USB (Universal Serial Bus) connectors, PS/2 interface for both mouse and keyboard and other standard features such as two UART NS16C550 serial ports, enhanced parallel port with Enhanced Parallel Port (EPP)/Extended Capabilities Port (ECP) support and one RJ-45 network port.

The system is fully compatible with MS-DOS V6.X, Novell Netware, Red Hat Linux, Windows NT 4.0, Windows 2000, and SCO Unixware.

Processors

The Pentium III processor delivers higher performance than previous Pentium processors while maintaining binary compatibility with all previous Intel Architecture processors.

The mainboard supports 100 or 133 MHz GTL+ host bus frequencies for one Pentium III processor running at 933 Mhz, 1 GHz, 1.13 GHz, 1.26 GHz and future generation of Pentium III processors.

Memory

The four DIMM sockets on board accept 128-, 256-, 512-MB and 1-GB DDR SDRAM modules for a maximum memory upgrade capacity of up to 4 GB. For data integrity, the default setting of the ECC (error-correcting code) function of the memory system in BIOS is enabled.



Note: The DDR SDRAM module should work under 3.3 volts only; 5-volt memory devices are not supported.

The mainboard supports 266 MHz DDR-SDRAM (PC-2100) module.

System chipsets

VIA Pro266T chipset

The VIA Pro266T chipset was specifically designed to meet the needs of high performance systems. It consists of two components: VT8653 (north bridge) and VT8233 (south bridge).

- VT8653 (north bridge) provides the host interface, memory system control interface, PCI interface, and AGP interface to boost graphics performance.
- VT8233 (south bridge) integrates super I/O functions like keyboard and mouse interface, floppy disk controller, advanced digital data separator, two compatible serial ports (UARTs), one parallel port, on-chip 12 mA AT bus drivers, one floppy direct drive support, and Intelligent Power Management (IPM) support.

SCSI subsystem

The dual-channel AIC-7899 single-chip host adapter delivers Ultra 160/m SCSI data transfer rates which double the Ultra-2 SCSI data transfer rate of up to 160 MByte/s. With two channels, it delivers a total of 320 MByte/s bandwidth. In addition, the AIC-7899 features a 66 MHz, 64-bit PCI interface that supports zero wait-state memory which also operates on 33 MHz, 32-bit PCI buses. It supports up to 15 devices on a 12-meter cable (or 25 meters in a point-to-point configuration), making it ideal for both clustering and RAID configurations.

LAN subsystem

Another cost-effective feature for network solutions is the integration of Intel's 82550 10/100 Mbps Fast Ethernet controller which supports:

- Advanced Configuration and Power Interface (ACPI) 1.0B-based power management
- wake on Magic Packet
- wake on Interesting Packet
- advanced System Management Bus (SMB) based manageability
- Wired for Management (WfM) 2.0 compliance
- IP checksum assist
- PCI 2.2 compliance
- PC 2001 compliance

Expansion slots

AGP bus

AGP is solely developed for the purpose of supporting 3D graphic applications. The AGP Pro (50) slot has a 32-bit wide channel that runs at 66 MHz, which translates into a total bandwidth of 266 MBps. This is twice the bandwidth of PCI buses (133 MBps). AGP also accesses the main memory directly allowing 3D textures to be stored in main memory rather than video memory.

PCI bus

The mainboard has five PCI buses that support 32-bit/33 MHz PCI devices. The PCI bus is the key interface that communicates between the north and the south bridge.

Hardware management support

The mainboard supports a power management function that conforms to the power saving standards of the U.S. Environmental Protection Agency (EPA) Energy Star program. It also offers Plug-and-Play feature which helps save users from configuration problems, thus making the system more user-friendly.

Additional features include hardware support for ASM Pro (Advanced System Manager Pro) and RDM (Remote Diagnostic Management). ASM detects problems in the CPU thermal condition, CPU working voltage detection ($\pm 12V/\pm 5V/3.3V/1.5V$), and PCI bus utilization calculation. It also detects if the CPU fan or the chassis fan malfunctions. Meanwhile, RDM allows execution of the RDM diagnostic program from a remote RDM station to fix detected problems or to reboot the system.

Features summary

The mainboard has the following major components:

- FC-PGA dual socket that supports a Pentium III processor running at 933 MHz, 1 GHz, 1.13 GHz and 1.26 GHz and future generations of Pentium III CPUs
- VIA Pro266T chipset which includes the north and the south bridge
- Onboard Intel 82550 10/100 Mbps LAN chip with WOL support
- Adaptec® AIC-7899 Dual Channel SCSI controller chipset supports:
 - Channel A - one 68-pin ULTRA 160/m SCSI connector
 - Channel B - one 68-pin ULTRA 160/m SCSI connector
- Four DIMM sockets that accept 128-, 256-, 512-MB and 1-GB DDR-SDRAM with a maximum memory upgrade capacity of 4 GB
- One AGP bus and five PCI bus slots
- System clock/calendar with battery backup
- IDE disk drive interfaces
- Super I/O chipset
- Auxiliary power connector for 280-watts SPS and ATX power supply
- Hardware support for ASM Pro (Advanced System Manager Pro) and RDM (Remote Diagnostic Management)
- External ports:
 - Two USB connectors
 - PS/2-compatible keyboard port
 - PS/2-compatible mouse port
 - RJ-45 jack
 - Parallel port
 - Two serial ports

2 System tour

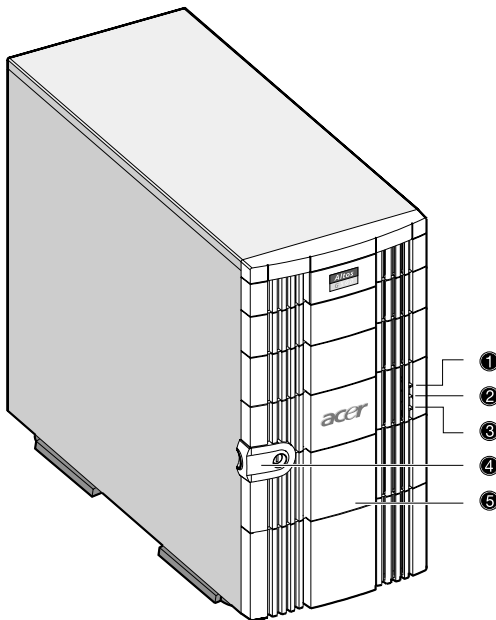
This chapter discusses the features and components of your system.

External and internal structure

Front panel



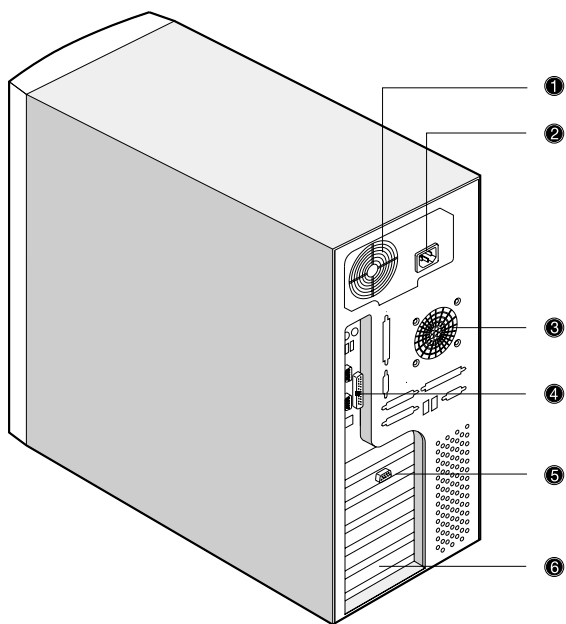
Note: One pair of system keys are hung inside the front panel door. Additional duplicate keys can be found at the back of the system.



No.	Item
1	Power indicator
2	Hard disk activity indicator

No.	Item
3	System status indicator
4	Keylock
5	Front panel

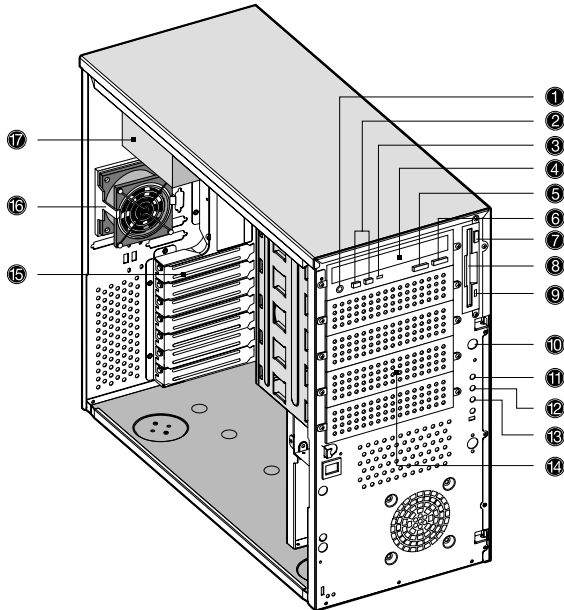
Rear panel



No.	Item	No.	Item
1	System fan	4	I/O connectors
2	Power cable socket	5	Monitor/VGA port

No.	Item	No.	Item
3	Housing fan	6	Expansion slots

Internal components

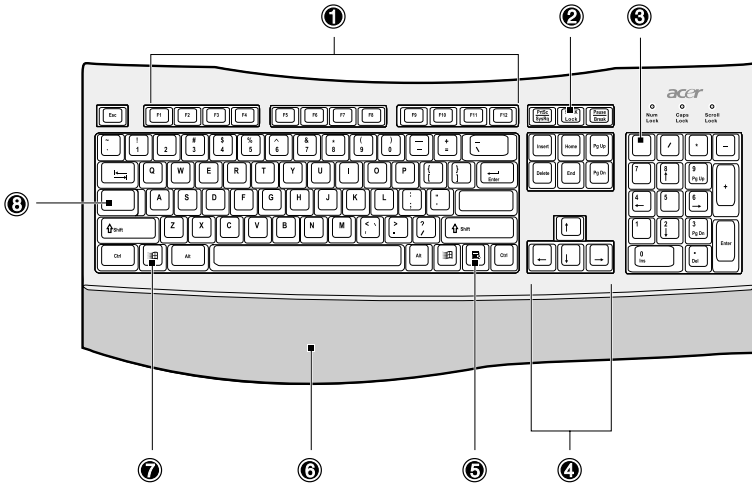


No.	Item
1	CD-ROM Headphone/Earphone port
2	CD-ROM Increase/Decrease volume button
3	CD-ROM activity indicator
4	CD-ROM tray
5	CD-ROM Play/Forward button
6	CD-ROM Stop/Eject button



No.	Item
7	Floppy drive eject button
8	Floppy drive tray
9	Floppy drive activity indicator
10	Power button
11	Power indicator
12	Hard disk activity indicator
13	System status indicator
14	5.25-inch half-height bays
15	Expansion slots
16	Housing fan
17	Power supply

Keyboard

Your system comes with a PS/2 keyboard. The keyboard has full-sized keys that include separate cursor keys, two Windows keys, and twelve function keys.



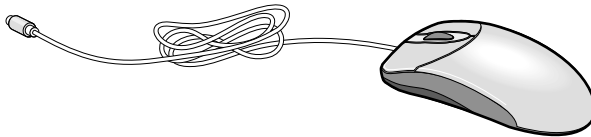
No.	Component	Function
1	Function keys (F1 - F12)	Access most of the computer's controls like screen brightness, volume output and the BIOS Setup utility.
2	Scroll Lock	When activated, the screen moves one line up or down when you press the up arrow or down arrow respectively. Take note that Scroll Lock may not work with some applications.
3	Num Lock	When activated, the keypad is set to numeric mode, i.e., the keys function as a calculator (complete with arithmetic operators such as +, -, x, and /).

No.	Component	Function
4	Cursor keys	Also called the arrow keys. These keys let you move the cursor around the screen. They serve the same function as the arrow keys on the numeric pad when the Num Lock is toggled off.
5	Application key 	Opens the applications context menu (same function as clicking the right button of the mouse).
6	Palm rest (detachable)	Provides a comfortable place to rest your hands while typing.
7	Windows logo key 	<p>Start button. Combinations with this key perform special functions, such as:</p> <ul style="list-style-type: none"> • Windows + Tab: Activate the next Taskbar button • Windows + E: Explore My Computer • Windows + F: Find Document • Windows + M: Minimize All • Shift + Windows + M: Undo Minimize All • Windows + R: Displays the Run dialog box
8	Caps Lock	When activated, all alphabetic characters typed appear in uppercase (same function as pressing Shift + <letter>).

Mouse

Your PS/2 mouse has one ratchet wheel and two buttons: a left button and a right button. Quickly pressing and releasing the buttons is called clicking. Sometimes, you will need to do a double-click (clicking the same button twice quickly) or a right-click (clicking the right button quickly).

The ratchet wheel in between the two buttons is added to provide easier scrolling capability. By simply moving the wheel with your index finger, you can quickly move through multiple pages, lines, or windows. The wheel may also function as a third button allowing you to quickly click or double-click an icon or a selected item.



Note: If you are left-handed, refer to your Windows manual for instructions on how to set up your mouse for left-handed use.

Disk drives

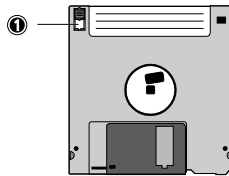
Your system comes with the following disk drives:

3.5-inch floppy drive

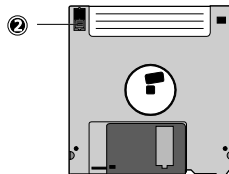
Your system's 3.5-inch floppy drive can handle 720-KB and 1.44-MB capacity diskettes.

Floppy diskettes are compact, lightweight, and easy to carry around. Here are some tips on how to take care of your diskettes:

- Always make backup copies of the diskettes that contain important data or program files.
- Keep diskettes away from magnetic fields and sources of heat.
- Avoid removing a diskette from the floppy drive when the drive activity indicator is on.
- Write-protect your diskettes to prevent accidental erasure. To do this, slide the write-protect tab to the write-protect position (1).



Sliding the write-protect tab to the not-write-protect position (2) will allow you to store and modify data in your diskettes.



- When you put a label on a 3.5-inch diskette, make sure that the label is properly attached (flat on the surface) and within the labeling area (area with a slight surface depression) on the diskette. An improperly attached label may cause a diskette to get stuck in the floppy drive when you are inserting or removing it.

CD-ROM drive

Your system comes with a CD-ROM drive. This drive is located on the front panel of your system. The CD-ROM drive allows you to play different types of compact discs (CDs) and video CDs.

CDs, like diskettes, are also compact, lightweight, and easy to carry around. However, they are more delicate than diskettes and must be handled with extra care.

To insert a CD into your system's CD-ROM drive:

- 1 Gently push the Stop/Eject button located on the front panel.
- 2 When the disc tray slides open, insert the CD. Make sure that the label or title side of the disc is facing upward.



.....
Caution! Hold the disc by the edges to avoid leaving smudges or fingerprints.

- 3 Push the Stop/Eject button again to close the tray.

To take care of your CDs:

- Keep your discs in a disk case when not in use to avoid scratches or other damage. Any kind of dirt or damage can affect the data on the disc, impair the disc lens reader on the CD-ROM drive, or stop the system from successfully reading the disc.
- When handling discs, always hold them by the edges to avoid smudges or fingerprints.
- When cleaning discs, use a clean, dust-free cloth and wipe in a straight line from the center to the edge. Do not wipe in a circular motion.
- Clean your CD-ROM drive periodically. You may refer to a cleaning kit for instructions. Cleaning kits can be purchased in any system or electronics shop.

Setting up your system

Preinstallation requirements

Selecting a site

Before unpacking and installing the system, select a suitable site for the system for maximum efficiency. Consider the following factors when choosing a site for the system:

- Near a grounded power outlet
- Clean and dust-free
- Sturdy surface free from vibration
- Well-ventilated and away from sources of heat
- Secluded from electromagnetic fields produced by electrical devices such as air conditioners, radio and TV transmitters, etc.

Checking the package contents

Check the following items from the package:

- Acer Altos G500 system
- Acer Altos G500 User's guide (with system binder)
- CD-ROM driver kits
- System keys (hung inside the front panel door)

If any of the above items are damaged or missing, contact your dealer immediately.


Save the boxes and packing materials for future use.

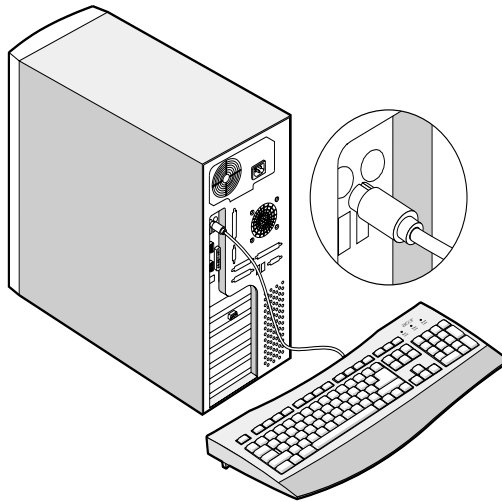
Basic connections

The system unit, keyboard, mouse, and monitor constitute the basic system. Before connecting any other peripherals, connect these peripherals first to test if the system is running properly.


Connecting the PS/2 keyboard

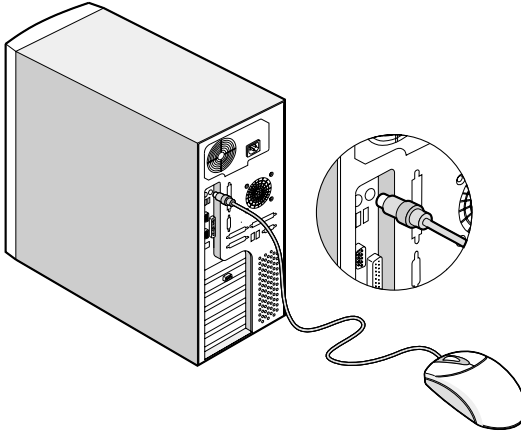
Plug the plug the keyboard cable into the PS/2 keyboard port

 (purple) located on the rear panel of your system.




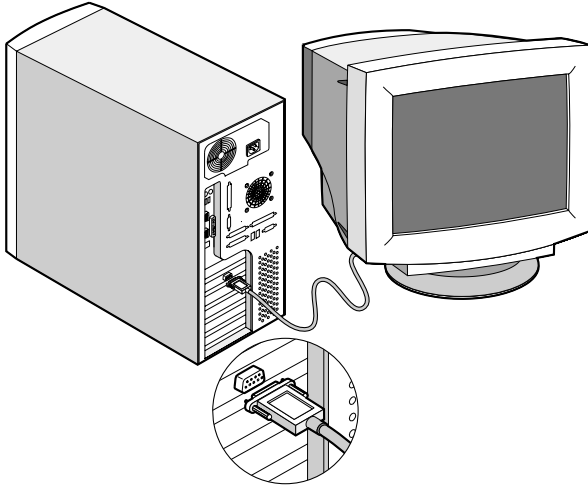
Connecting the PS/2 mouse

Plug the PS/2 mouse cable into the PS/2 mouse port  (green port) located on the rear panel of your system.




Connecting the VGA monitor

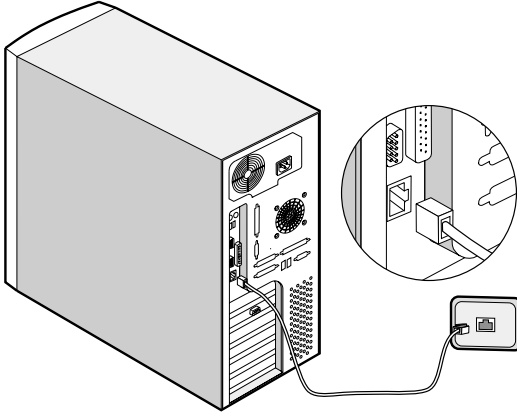
To connect the VGA monitor, simply plug the monitor cable into the monitor/VGA port  (blue port) located on the rear panel of your system.



Connecting to the network

You can connect your computer to a Local Area Network (LAN) using a network cable. To do so, simply plug the network cable into the

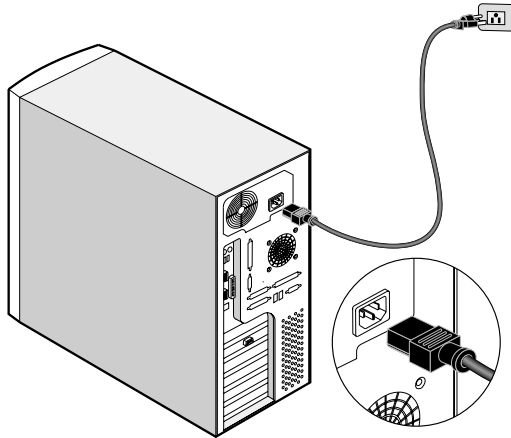
network port  (black port) located on the rear panel of your system.



Note: Consult your operating system manual for information on how to configure your network setup.

Connecting the power cable

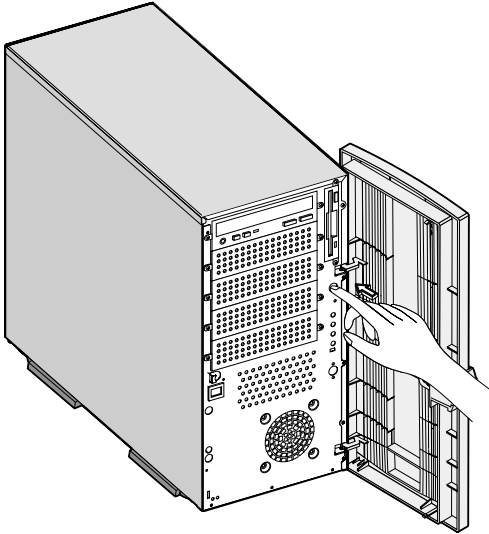
Plug the power cable into the power cable socket located on the rear panel of your system. Then plug the other end of the power cable into a power outlet. The figure below shows a complete connection of the whole system



Turning on your system

After making sure that you have set up the system properly and connected all the required cables, you can now power on your system.

To power on the system, press the power button on the front panel. The system starts up and displays a welcome message. After that, a series of power-on self-test (POST) messages appears. The POST messages indicate if the system is running well or not.



Note: If the system does not turn on or boot after pressing the power button, go to the next section for the possible causes of the boot failure.

Aside from the POST messages, you can determine if the system is in good condition by checking if the following occurred:

- Power indicator on the front bezel lights up (green)
- Power, Num Lock, and Caps Lock indicators on the keyboard light up

Power-on problems

If the system does not boot after you have applied power, check the following factors that might have caused the boot failure.

- The external power cable may be loosely connected.

Check the power cable connection from the power source to the power cable socket on the rear panel. Make sure that the cable is properly connected to the power source and to the power cable socket.

- No power comes from the grounded power outlet.

Have an electrician check your power outlet.

- Loose or improperly connected internal power cables.

Check the internal cable connections. If you are not confident to perform this step, ask a qualified technician to assist you.



Warning! Make sure all power cords are disconnected from the electrical outlet before performing this task.



Note: If you have gone through the preceding actions and the system still fails to boot, ask your dealer or a qualified technician for assistance.

Turning off your system


To turn off your computer, on the Windows taskbar click on the **Start** button, point to **Shut Down...**, select **Shut down** from the dropdown window then click on **OK**. You can then turn off all peripherals connected to your computer.

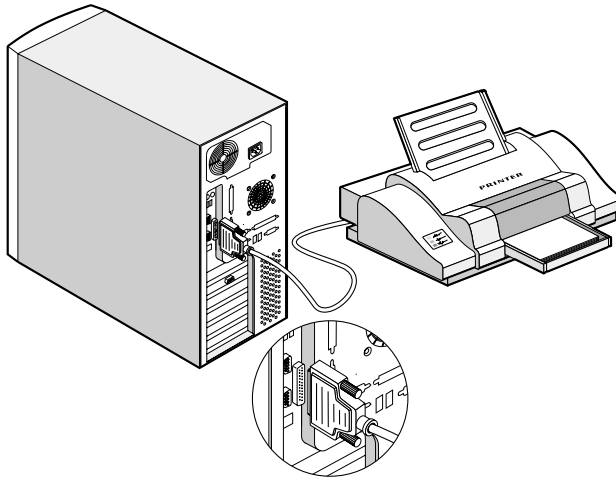
If you cannot shut down your computer, press the power button for at least four seconds. Quickly pressing the button may put the computer in a Suspend mode only.

Connecting options

Printer

Your system supports serial, parallel and USB printers.

To connect a parallel printer, plug the printer cable into the parallel/printer port  (burgundy port) located on the rear panel of your system.




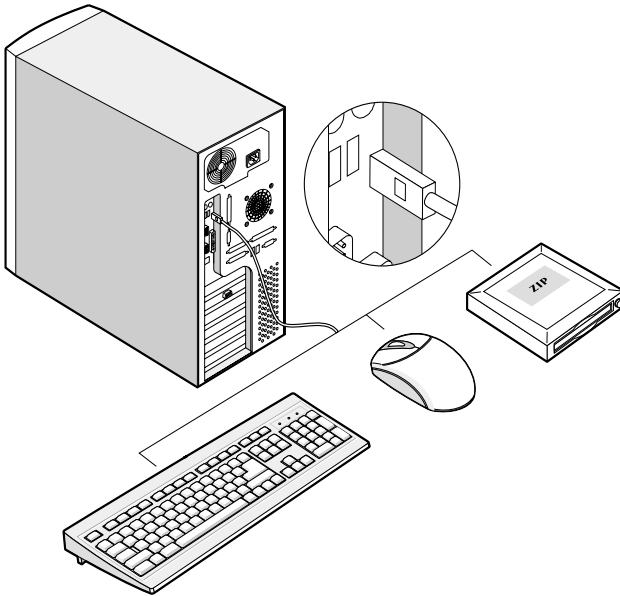
Note: If you are using a serial printer, connect the printer cable into either serial port 1 or serial port 2. In the same manner, connect a USB printer by plugging the printer cable into either USB ports. The serial and USB ports are both located on the system's rear panel.

USB devices

Universal Serial Bus (USB) is a new serial bus design that is capable of cascading low-/medium-speed peripherals (less than 12 Mbps) such as a keyboard, mouse, joystick, scanner, printer and modem. With USB, complex cable connections can be eliminated.

Your system comes with two USB ports located on the rear panel. These ports allow you to connect additional serial devices to your system without using up its system resources.

To connect a USB device, simply plug the device cable into either USB ports  (black port) located on the rear panel of your system.



Note: Most USB devices have a built-in USB port which allows you to daisy-chain other devices.

3 Upgrading your system

This chapter contains basic information about your mainboard that you will find helpful when performing the instructions of the upgrade process which are also discussed in this chapter.

Installation precautions

Before you install any system component, we recommend that you read the following sections. These sections contain important ESD precautions along with preinstallation and post-installation instructions.

ESD precautions

Electrostatic discharge (ESD) can damage your processor, disk drives, expansion boards, and other components. Always observe the following precautions before you install a computer component:

- 1 Do not remove a component from its protective packaging until you are ready to install it.
- 2 Wear a wrist grounding strap and attach it to a metal part of the computer before handling components. If a wrist strap is not available, maintain contact with the computer throughout any procedure requiring ESD protection.

Preinstallation instructions

Always observe the following before you install any component:

- 1 Turn off your system and all the peripherals connected to it.
- 2 Unplug all cables from the power outlets.
- 3 Open your system according to the instructions on page 35.
- 4 Follow the ESD precautions described above when handling a computer component.
- 5 Remove any expansion board(s) or peripheral(s) that block access to the DIMM socket or other component connector.

See the following sections for specific installation instructions on the component you want to install.



.....

Warning! Failure to properly turn off the computer before you start installing components may cause serious damage.

Do not attempt the procedures described in the following sections unless you are a qualified service technician.

Post-installation instructions

Observe the following after installing a computer component:

- 1 See to it that all components are installed according to the described step-by-step instructions.
- 2 Replace any expansion board(s) or peripheral(s) that you have previously removed.
- 3 Connect the necessary cables.
- 4 Replace the side panel.
- 5 Turn on the system.

Opening your system



Caution: Before you proceed, make sure that you have turned off your system and all peripherals connected to it. Read the "Preinstallation instructions" on page 33.

You need to open your system before you can install additional components. The system housing has one front panel door and one removable side panel. See the following section for instructions.

Opening the front panel door

A security lock secures the front panel door to protect your system unit against unauthorized access.

To open the front panel door:

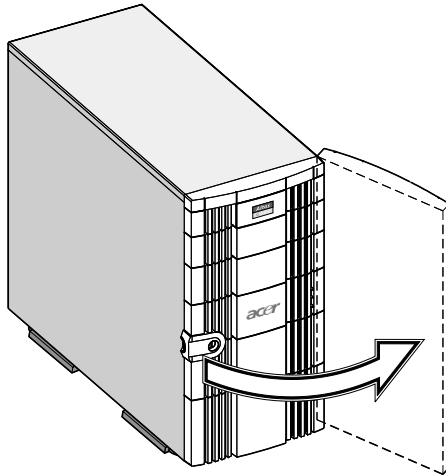
- 1 Insert the key into the lock and turn it clockwise until it points to the unlocked icon.
- 2 Pull open the front panel door.

Removing the front panel door

The front panel door is attached to the main housing by screwless hinges. Follow these steps to remove the door:

- 1 Unlock the door with the key (when necessary).
- 2 Open it to more than a 45° angle.

- 3 Lift it up a little, then move it away from the housing.

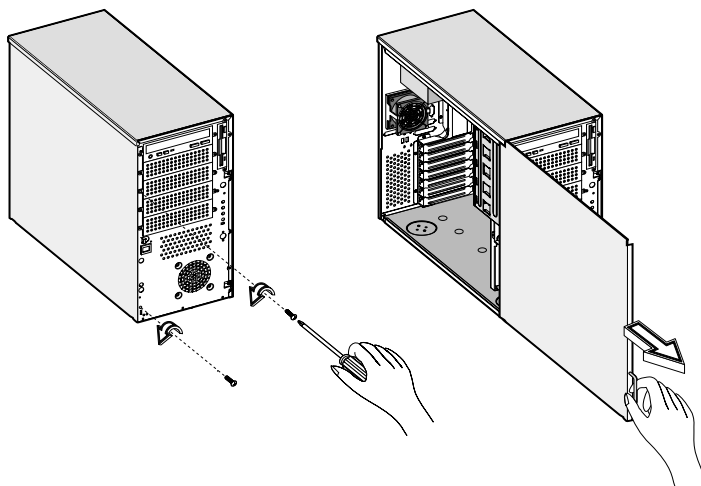


Opening the side panel

A microswitch is located on the side panel. It helps indicate whether the panel is removed or intact.

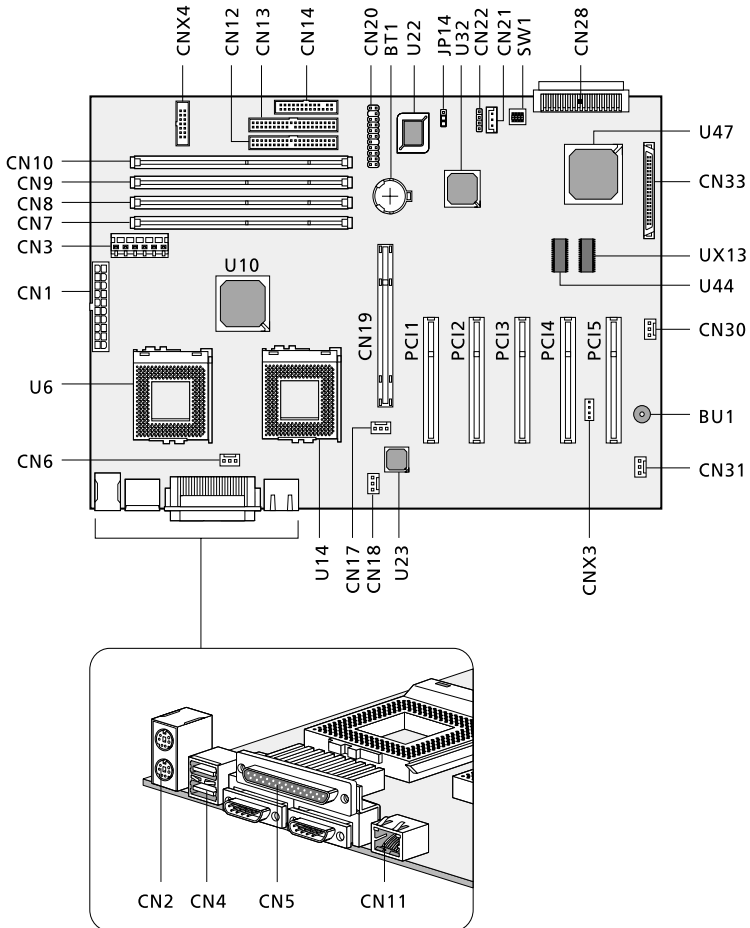
- 1 Turn off your system unit and unplug all cables.
- 2 Place the system unit on a flat, steady surface.
- 3 Open then remove the front panel door. Refer to page 35 for more detailed instructions.

- 4 Remove the two front screws with a Phillips screwdriver. Keep them in a safe place for later use.
- 5 Pull out the panel handle to remove the side panel.



Mainboard layout

The mainboard becomes accessible once you open the system. It should look like the figure shown below



Item	Description
BU1	Internal buzzer
BT1	Battery
CNX3	Intelligent Platform Management Bus (IPMB)
CNX4	Power status
CN1	20-pin ATX power supply connector
CN2	Above: PS/2 mouse port Below: PS/2 keyboard port
CN3	6-pin AUX power supply connector
CN4	USB ports
CN5	Above: Parallel port Left (from backside): Serial port 2 Right (from backside): Serial port 1
CN6	CPU 1 fan connector
CN7 - CN10	DIMM 1 - DIMM 4 slots
CN11	LAN jack (RJ-45)
CN12	Primary IDE connector
CN13	Secondary IDE connector
CN14	FDD connector
CN17	CPU 2 fan connector
CN18	System fan 3 connector
CN19	AGP slot

Item	Description
CN20	Multi connector 1, 2 : Power button 3, 4, 5, 6 : Event LED 7, 9, 11 : Power LED 8, 10, 12, 14 : HDD LED 19, 20 : Intrusion sensor 21-22 : Reserved
CN21	Wake on LAN connector
CN22	SCSI LED connector
CN28	SCSI channel B connector (68-pin) (Ultra 160/m)
CN30	System fan 1 connector
CN31	System fan 2 connector
CN33	SCSI channel A connector (68-pin) (Ultra 160/m)
JP14	Clear CMOS 1-2 : Normal 2-3 : Clear
PCI1-PCI5	PCI 1 to PCI 5 slots
SW1 (1)	On: Password Disable
SW1 (2)	Reserved
SW1 (3)	SCSI channel A terminator 1-2 : On 2-3 : Off
SW1 (4)	SCSI channel B terminator 1-2 : On 2-3 : Off
UX13	IPMI chipset (Intelligent Platform Management Interface, for BIOS)

Item	Description
U6	CPU 1 socket
U10	VIA Pro266T chipset (VT8653, north bridge)
U14	CPU 2 socket
U22	Flash ROM (BIOS)
U23	Intel® 82550 LAN chipset
U32	VIA Pro266T chipset (VT8233, south bridge)
U44	Super I/O chipset (SMSC 47M102)
U47	SCSI chipset (Adaptec AIC-7899W)

Settings in **boldface** are the default factory settings.

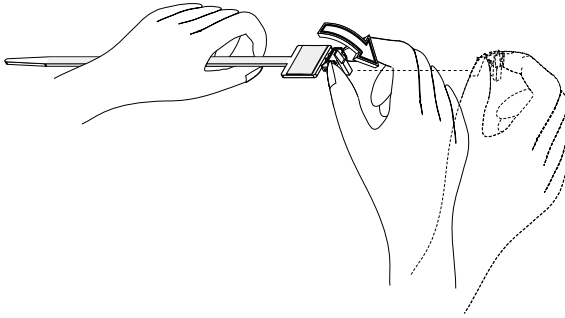
Installing the VGA card retainer

To maintain the stability of the VGA card connection to the mainboard, please check if a VGA card retainer is installed on your system. If the card retainer is not present, refer to the instructions below for the installation process:

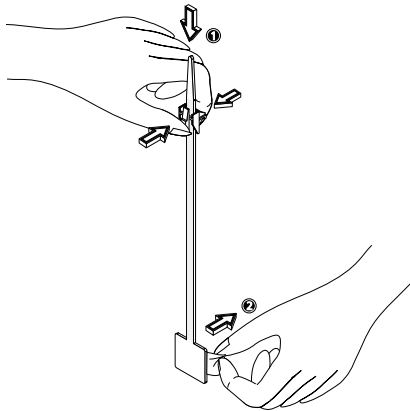


Note: The VGA card retainer is included in your system's package contents. If it is missing or damaged, contact your computer dealer immediately.

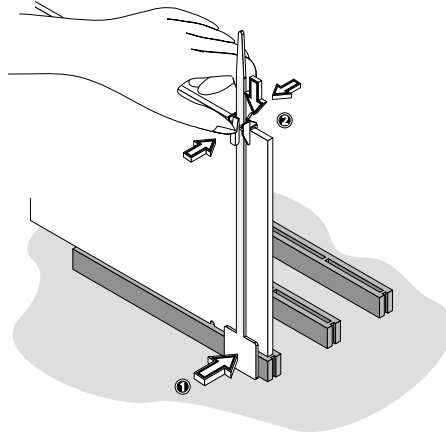
- 1 Press your fingers on the card retainer wedge clip to detach it from the rod portion of the retainer.



- 2 Slip the wedge through the card retainer rod (1). Peel off the adhesive cover from the flat portion of the card retainer (2).



- 3 Press the adhesive side of the card retainer to the side of the VGA slot (1).
Adjust the wedge to the VGA card height by pressing its clip to move it downward (2). Make sure that the wedge properly secures the VGA card into place.



Installing and removing storage devices

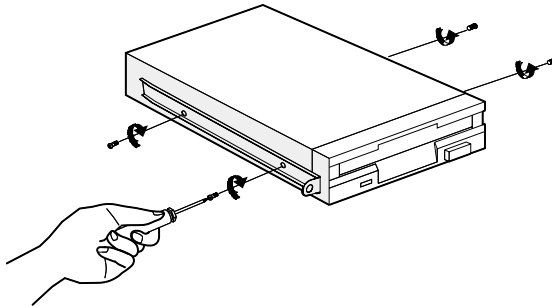
Your system supports one 3.5-inch and five 5.25-inch internal storage devices. The empty drive bays allow you to install additional drives such as a CD-ROM drive, a digital audio tape (DAT) drive or another hard disk drive. These would provide your system additional storage capacity.



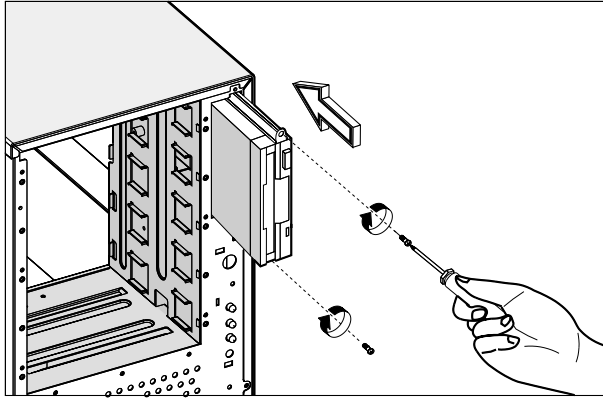
Note: Your basic system already comes pre-installed with a CD-ROM drive and a 3.5-inch floppy drive.

Replacing the 3.5-inch floppy drive

- 1 Remove the housing panels. Refer to page 36 for more detailed instructions.
- 2 Disconnect the power and signal cables from the old drive.
- 3 Detach the old 3.5-inch drive with the drive frame from the housing by removing the two chassis screws. Keep the screws for later use.
- 4 Remove the four frame screws that hold the old drive to the drive frame then pull out the drive.
- 5 Install a new 3.5-inch drive to the drive frame and secure it with the four frame screws you have previously removed.



- 6 Insert the new drive into the drive bay and secure it with the two chassis screws you have previously removed.



- 7 Connect the power and signal cables to the new drive.
- 8 Replace the housing panels.

Replacing a 5.25-inch storage device (optional)

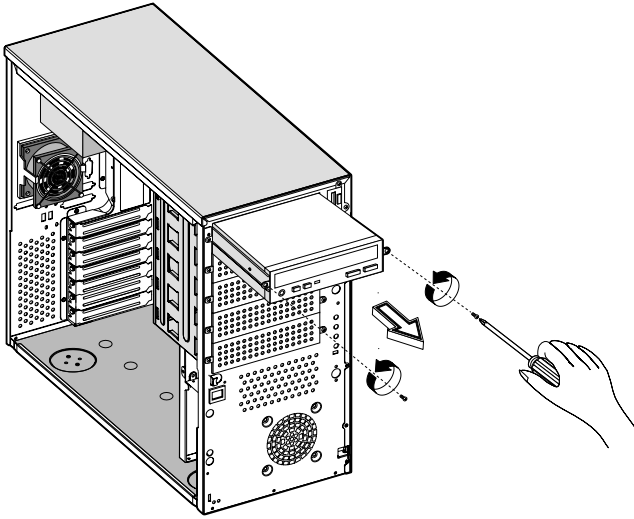


Note: If you are installing a new drive in an empty drive bay, skip steps 2 to 4.

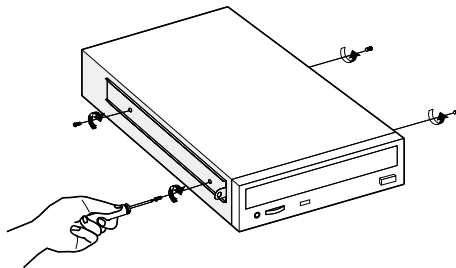
To replace a 5.25-inch storage device:

- 1 Remove the housing panels. Refer to page 36 for more detailed instructions.
- 2 Detach the power and signal cables from the drive.

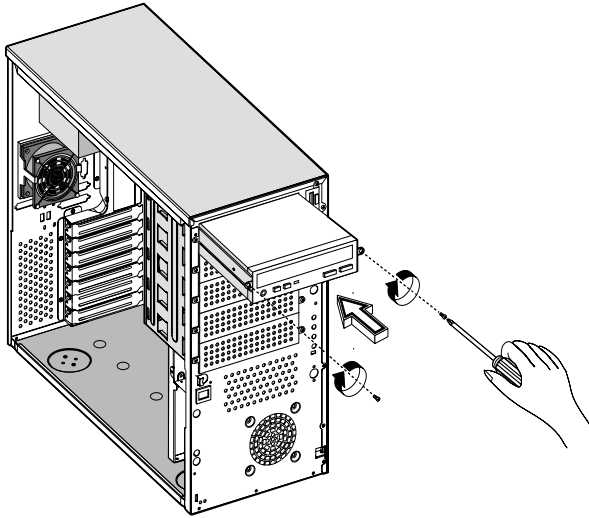
- 3 Detach the 5.25-inch drive frame from the housing by removing the two screws chassis. Keep the screws for later use.



- 4 Remove the four frame screws that hold the old drive to the drive frame then pull out the drive.
- 5 Install a new 5.25-inch drive to the drive frame and secure it with the four frame screws you have previously removed.



- 6 Insert the drive frame with the newly-installed 5.25-inch drive into the drive bay and secure it with the two chassis screws you have previously removed.



- 7 Connect the power and signal cables to the drive.
- 8 Replace the housing panels.

Removing and installing the CPU

Your system's Pentium III processor comes in a FC-PGA 370-pin package. The FC-PGA package is designed for the new breed of sleek, high performance, small form factor PCs.

Your mainboard supports a Pentium III processor running at 933 MHz, 1 GHz, 1.13 GHz and 1.26 GHz and future generations of Pentium CPUs on a 100 or 133 MHz system bus.



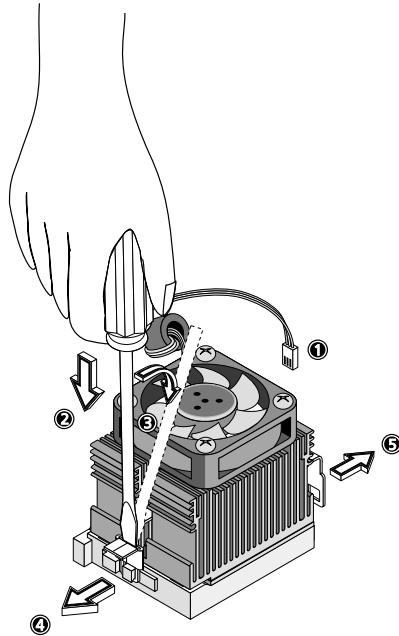
.....
Caution: Always observe the ESD precautions when installing or removing a system component. Refer to page 33.

Removing a CPU

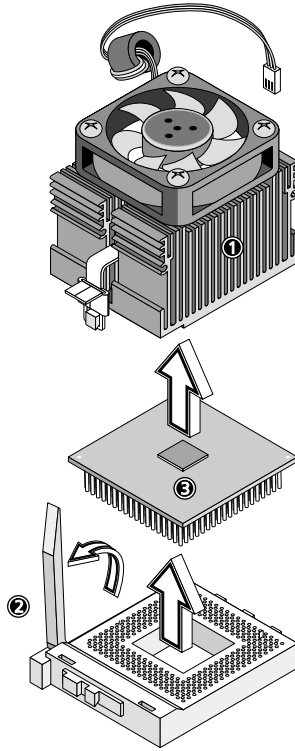
Follow these steps to remove a CPU:

- 1 Remove the housing panels. See page 36 for more detailed instructions.
- 2 Locate the CPU socket on the mainboard.

- 3 Detach the fan/heatsink cable connector (1).
- 4 Insert a flat screwdriver into the fan/heatsink metal bracket (2) and pry it outward (3).
- 5 Detach the metal bracket from the socket (4) then remove it from the other side (5).



- 6 Pull out the fan/heatsink from the CPU(1).
- 7 Raise the socket lever up to a 90° angle (2) before detaching the CPU from its socket (3).

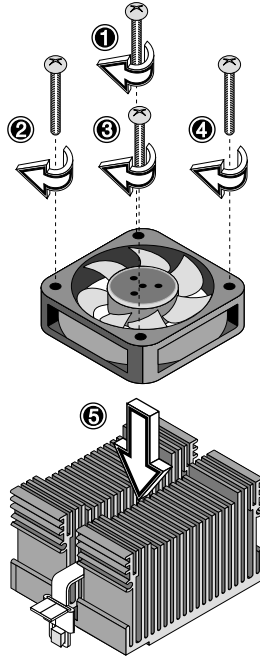


Caution: The heatsink becomes very hot when the system is on. NEVER touch the heatsink with any metal or with your hands.

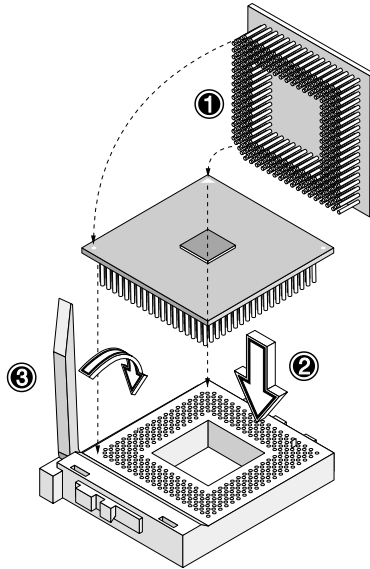
Installing a CPU

Before you proceed make sure that there is no CPU installed in the CPU socket. Follow the steps below to install a CPU:

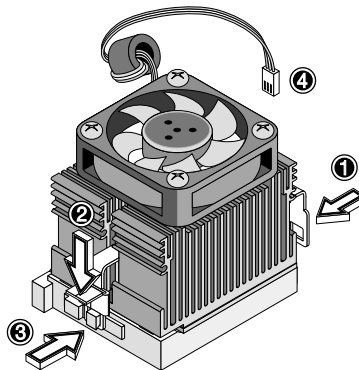
- 1 Locate the CPU socket on the mainboard.
- 2 Secure the CPU fan to its base with the four screws provided.



- 3 Align the CPU to its socket, making sure that pin 1 (indicated by the notched corner) of the CPU connects to hole 1 of the socket (on the bottom right corner) **(1)**.
- 4 Insert the CPU into the socket **(2)**, then press down the socket lever to lock the CPU into place **(3)**.



- 5 Reattach the metal brackets to the CPU **(1 to 3)**, then plug the fan/ heatsink cable into the fan connector on the mainboard **(4)**.



Removing and installing memory modules

The four 184-pin memory sockets onboard support DDR SDRAM modules. You may install 128-, 256-, 512-MB and 1 GB DDR SDRAM for a maximum memory upgrade capacity of up to 4 GB.

The DDR SDRAM module should work under 2.5 volts only; 5-volt memory devices are not supported. The mainboard supports 266 MHz DDR-SDRAM (PC-2100) modules.

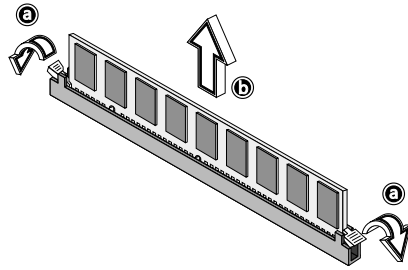
Each of the memory sockets is independent from the others. This independence allows you to install memory modules with different capacities to form different configurations.

Removing a DIMM

Before you can install a new DIMM in a socket, remove first any previously installed DIMM from that socket.

- 1 Open the front panel and remove the side panel of the housing. See page 36 for more information on opening the housing panels.
- 2 Locate the DIMM socket on the mainboard.
- 3 Press the holding clips on both sides of the socket outward to release the DIMM (a).

- 4 Gently pull the DIMM upward to remove it from the socket (b).

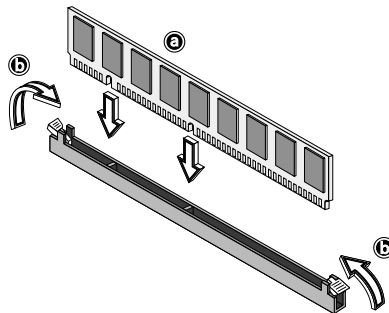


Note: Place your forefingers on the top of the DIMM before pressing the holding clips to gently disengage the DIMM from the socket.

Installing a DIMM

Before you can install a new DIMM in a socket, remove first any previously installed DIMM from that socket.

- 1 Locate the DIMM socket on the mainboard.
- 2 Open the clips on the socket.
- 3 Align then insert the DIMM into the socket.
- 4 Press the holding clips inward to lock the DIMM in place.





Note: The DIMM socket is slotted to ensure proper installation. If you insert a DIMM but it does not fit easily into the socket, you may have inserted incorrectly. Reverse the orientation of the DIMM and insert it again.

Reconfiguring your system memory

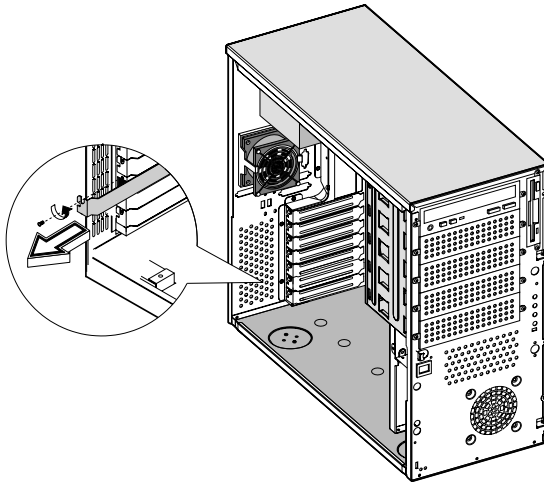
The system automatically detects the amount of memory installed. Run Setup to view the new value for total system memory and make a note of it.

Installing expansion cards

There are two kinds of expansion slots available on your mainboard: PCI (Peripheral Component Interconnect) and AGP (Accelerated Graphics Port).

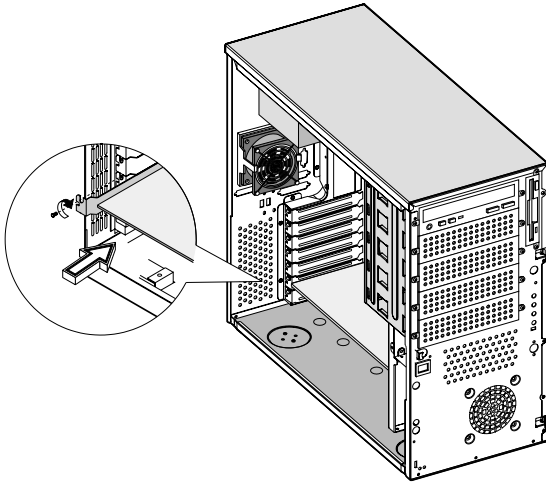
To install an expansion card:

- 1 Remove the housing panels. Refer to page 36 for more detailed instructions.
- 2 Locate an empty expansion slot on the mainboard.
- 3 Remove the metal bracket opposite the selected empty expansion slot by removing the screw that holds the bracket to the housing then pulling out the bracket.



- 4 Remove the expansion card from its protective packaging.
- 5 Align the card in the empty bracket. Make sure that the card is properly seated.

- 6 Insert the bracket with the card into the selected slot then secure it with the screw you have previously removed.



- 7 Replace the housing panels.



.....

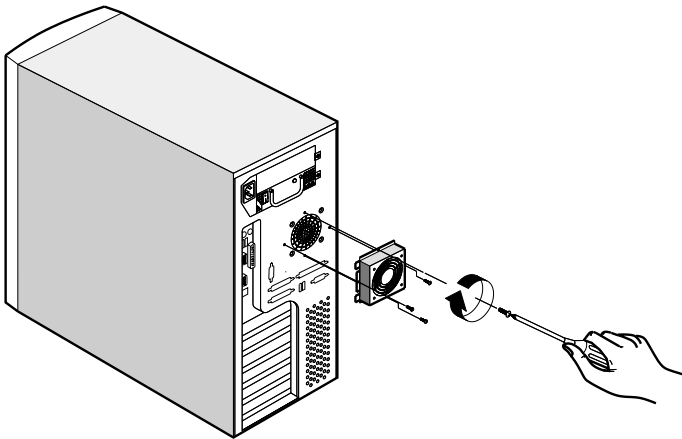
Note: When you turn on the system, the BIOS Setup utility automatically detects and assigns resources to the new device (applicable only to Plug-and-Play expansion cards).

Installing an external redundant system fan (optional)

An additional external redundant fan can be installed behind the system housing. This allows the system to still operate properly in case the internal system fan malfunctioned.

To install an external redundant fan:

- 1 On the rear panel, use a screwdriver to push open the plastic peg located below the internal system fan module.
- 2 Insert the redundant fan into the fan cage and attach the fan cage to the system housing with the four screws provided.
- 3 Insert the fan cable into the peg hole and attach the cable to the mainboard.



4 BIOS Setup utility

This chapter gives information about the system BIOS and discusses how to configure the system by changing the settings of the BIOS parameters.

BIOS Setup utility

The BIOS Setup utility is a hardware configuration program built into your computer's Basic Input/Output System (BIOS). Since most computers are already properly configured and optimized, there is no need to run this utility. However, if you encounter configuration problems and get the "Run Setup" message, you will need to run this utility.

The Setup program loads the configuration values in a battery-backed nonvolatile memory called CMOS RAM. This memory area is not part of the system RAM which allows configuration data to be retained when power is turned off.



Note: If you repeatedly receive Run Setup messages, the battery may be bad. In this case, the system cannot retain configuration values in CMOS. Ask a qualified technician for assistance.

Before you run Setup, make sure that you have saved all open files. The system reboots immediately after you exit Setup.

Entering Setup

Power on the computer to start the system POST (Power On Self Test) process. While booting, press the key combination **Ctrl+Alt+Esc** simultaneously.

The Basic Setup Utility main menu will appear.



Note: You must press **Ctrl+Alt+Esc** while the system is booting. This key combination does not work during any other time.

The system supports two Setup Utility levels: Basic and Advanced.

If you are an advanced user, you may want to check the detailed configuration of your system. Detailed system configurations are contained in the Advanced Level. To view the Advanced Level, press **F8** while viewing the Basic Setup main menu.

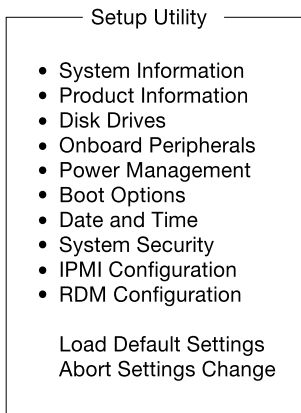
The Key Help Guide (press <Alt+H> to activate) shows you how to move around the BIOS setup screen:

- Use the **Up** and **Down** arrow keys to move around the Setup Utility screen.
- Use the **Left** and **Right** arrow keys to move to the next page or to return to the previous page if the setup screen has more than one page available.
- Use the **Page Up**, **Page Down**, **+**, or **-** keys to select the options if they are available.
- Press **Esc** to return to the Main menu.

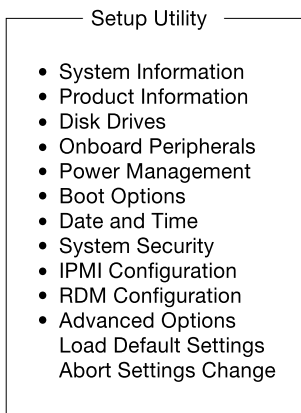


Note: A parameter with an asterisk (*) mark indicates that the parameter appears only when you are in the Advanced Level. Also, grayed items on the screens have fixed settings and are not user-configurable.

Basic Setup Utility main menu



Advanced Setup Utility main menu



The parameters on the screens shown in this User's guide display default system values. These values may not be the same as those in your computer. The grayed-out items on the screens have fixed settings and are not user-configurable.

In the descriptive table following each of the main menu option screens, the settings in **boldface** are the default and suggested parameter settings.

System Information

The following screen appears if you select **System Information** from the main menu:

System Information	
Processor	Pentium II
Processor Speed.....	733 MHz
Level 1 Cache.....	32 KB, Enabled
Level 2 Cache.....	256 KB, Enabled
Floppy Drive A.....	1.44 MB, 3.5-inch
Floppy Drive B.....	None
IDE Primary Channel Master.....	Hard Disk, 20404 MB
IDE Primary Channel Slave.....	IDE-CD ROM
IDE Secondary Channel Master.....	None
IDE Secondary Channel Slave.....	None

System Information	
Total Memory.....	768 MB
1st Bank.....	Registered DDR SDRAM, 256 MB
2nd Bank.....	Registered DDR SDRAM, 256 MB
3rd Bank.....	Registered DDR SDRAM, 256 MB
4th Bank.....	Registered DDR SDRAM, 256 MB
Serial Port 1.....	Disabled
Serial Port 2.....	2F8h, IRQ 3
Parallel Port.....	378h, IRQ 7
PS/2 Mouse.....	Installed

Parameter	Description
Processor	Type of processor currently installed in your system
Processor Speed	Clock speed of the processor currently installed in your system

Parameter	Description
Level 1 Cache	Total amount of first-level or the internal fast accessed memory size (i.e., the memory integrated into the CPU)
Level 2 Cache	Total amount of second-level cache memory size that comes with the CPU. The available cache sizes are 256 or 512 KB.
Floppy Drive A Floppy Drive B	System's current diskette drive A and drive B settings
IDE Primary Channel Master	Current configuration of the IDE device connected to the master port of the primary IDE channel
IDE Primary Channel Slave	Current configuration of the IDE device connected to the slave port of the primary IDE channel
IDE Secondary Channel Master	Current configuration of the IDE device connected to the master port of the secondary IDE channel
IDE Secondary Channel Slave	Current configuration of the IDE device connected to the slave port of the secondary IDE channel
Total Memory	Total amount of onboard memory. The memory size is automatically detected by BIOS during the POST. If you install additional memory, the system automatically adjusts this parameter to display the new memory size.
1st/2nd/3rd bank	Type and size of DRAM installed in DIMM sockets 1, 2, and 3 respectively. The None setting indicates that there is no DRAM installed
Serial port 1	Serial port 1 address and IRQ setting
Serial port 2	Serial port 2 address and IRQ setting
Parallel port	Parallel port address and IRQ setting
PS/2 mouse	Pointing device installation setting. Displays None if no pointing device is installed

Product Information

Product Information displays general data about the system, such as the product name, serial number, BIOS version, etc. This information is necessary for troubleshooting and may be required when asking for technical support. These entries are for your reference only and cannot be changed.

The following shows how the Product Information screen appears:

Product Information	
Product Name.....	Acer Altos G500
System S/N.....	N/A
Main Board ID.....	M33VT
Main Board S/N.....	N/A
System BIOS Version.....	v4.0
SMBIOS Version.....	2.3

Parameter	Description
Product Name	Official name of the system
System S/N	System's serial number
Mainboard ID	Mainboard's identification number
Mainboard S/N	Mainboard's serial number
System BIOS Version	Version of the BIOS utility
SMBIOS Version	Version of the SMBIOS

Disk Drives

Select **Disk Drives** to input configuration values for the system disk drives. The following shows the Disk Drives screen:

Disk Drives

Floppy Drive A.....[1.44-MB, 3.5-inch]
 Floppy Drive B.....[None]

- IDE Primary Channel Master
- IDE Primary Channel Slave
- IDE Secondary Channel Master
- IDE Secondary Channel Slave

Parameter	Description	Option
Floppy Drive A	Selects the floppy disk drive type	1.44 MB, 3.5-inch
Floppy Drive B		None
		360 KB, 5.25-inch
		1.2 MB, 5.25-inch
		720 KB, 3.5-inch
		2.88 MB, 3.5-inch

Parameter	Description	Option
IDE Primary Channel Master and Slave	These items let you select the IDE hard disk parameters that your system supports.	Auto User None
IDE Secondary Channel Master and Slave	Auto. Enables BIOS to automatically detect the parameters of installed HDDs during the POST (power-on self-test). User. HDD parameters manually configured. None. No HDD is connected to the system. Note: The IDE CD-ROM is always automatically detected.	

IDE Channel Type

The following screens appear if you select any of the the IDE drive parameters from the Disk Drives screen:

```

IDE Primary Channel Master/
IDE Secondary Channel Master

Device Detection Mode.....[Auto]
Device Type.....Hard Disk

Cylinder.....[xxxx]
Head.....[xx]
Sector.....[xx]
Size.....[xxxx] MB

Hard Disk LBA Mode.....[Auto]
  
```

Parameter	Description	Option
Device Detection Mode	Lets you specify the type of hard disk installed in your system. If you want BIOS to automatically configure your hard disk, select Auto. If you know your hard disk type, you can enter the setting manually.	Auto User None
Device Type	Indicates a hard disk type device	
Cylinder	Specifies the number of cylinders in your hard disk, and is automatically set depending on your Type parameter setting.	User Input
Head	Specifies the number of heads in your hard disk, and is automatically set depending on your Type parameter setting.	User Input
Sector	Specifies the number of sectors in your hard disk, and is automatically set depending on your Type parameter setting.	User Input

Parameter	Description	Option
Size	Specifies the size of your hard disk, in MB.	User Input
Hard Disk LBA Mode	When set to Auto, the BIOS utility automatically detects if the installed hard disk supports the function. If supported, it allows you to use a hard disk with a capacity of more than 528 MB. This is made possible through the Logical Block Address (LBA) mode translation. However, this enhanced IDE feature works only under DOS, Windows 3.x, Windows 95, Windows 98, Windows NT 3.5 and above, and Windows 2000. Other operating systems require this parameter to be set to Disabled.	Auto Disabled

Onboard Peripherals

Onboard Peripherals allows you to configure the onboard communication ports and the onboard devices. Selecting this option displays the following screen:

Onboard Peripherals

Serial Port 1.....	[Disabled]
Base Address.....	[3F8h]
IRQ.....	[4]
Serial Port 2.....	[Enabled]
Base Address.....	[2F8h]
IRQ.....	3]
Parallel Port.....	[Enabled]
Base Address.....	[378h]
IRQ.....	[7]
Operation Mode.....	[ECP]
ECP DMA Channel.....	[-]
Floppy Disk Controller.....	[Enabled]
IDE Controller.....	[Both]
PS/2 Mouse Controller.....	[Enabled]
USB Host Controller.....	[Disabled]
USB Legacy Mode.....	[-----]
Onboard Ethernet Chip.....	[Enabled]

Parameter	Description	Option
Serial Port 1	Enables or disables serial port 1	Enabled Disabled
Base Address	Sets the I/O base address of serial port 1	3F8h 2F8h 3E8h 2E8h
IRQ	Sets the IRQ (interrupt request) channel of serial port 1	4 11

Parameter	Description	Option
Serial Port 2	Enables or disables serial port 2	Enabled Disabled
Base Address	Sets the serial port 2 I/O base address	2F8h 3E8h 2E8h
IRQ	Sets the IRQ channel of serial port 2	3 10
Parallel Port	Enables or disables the parallel port	Enabled Disabled
Base Address	Sets a logical base address for the parallel port. This parameter is configurable only if the Parallel Port parameter is enabled.	378h 278h
IRQ	<p>Assigns an interrupt for the parallel port. This parameter is configurable only if the Parallel Port parameter is enabled.</p> <p>If you install an add-on card that has a parallel port whose address conflicts with the onboard parallel port, a warning appears on the screen. Check the parallel port address of the add-on card and change the address to one that does not conflict.</p>	7 5
Operation Mode	Sets your parallel port's operation mode. This parameter is configurable only if the Parallel Port parameter is enabled.	Extended Capabilities Port (ECP) Enhanced Parallel Port (EPP) Bi-directional Standard Parallel Port (SPP)
ECP DMA Channel	Assigns a DMA channel for the ECP parallel port function. This parameter is configurable only if you select the Extended Capabilities Port (ECP) as the operation mode.	

Parameter	Description	Option
Floppy Disk Controller	Enables or disables the onboard floppy disk controller	Enabled Disabled
IDE Controller	Enables or disables the onboard primary, secondary or both IDE interfaces	Both Primary Secondary Disabled
PS/2 Mouse Controller	Enables or disables the onboard PS/2 mouse controller	Enabled Disabled
USB Host Controller	Enables or disables the onboard USB host controller	Disabled Enabled
USB Legacy Mode	Activates or deactivates the USB keyboard connected to your system. When activated, the USB keyboard functions in a DOS environment.	
Onboard Ethernet Chip	Enables or disables the onboard Ethernet controller	Enabled Disabled

Power Management

The **Power Management** menu allows you to configure the system's power management feature.

The following screen shows the parameters on the Power Management screen:

Power Management	
Power Management Mode.....	[Enabled]
IDE Hard Disk Standby Timer.....	[Off]
System Sleep Timer.....	[Off]
Sleep Mode.....	[Standby]
Power Switch <4 sec.	[Power Off]
System wake-up event	
Modem Ring Indicator.....	[Enabled]
PCI Power Management.....	[Disabled]
RTC Alarm.....	[Disabled]
Resume Day.....	[.-]
Resume Time.....	[--:--:--]
Restart on AC Power Failure.....	[Disabled]

Parameter	Description	Option
Power Management Mode	Allows you to reduce power consumption. When this parameter is set to Enabled, you can configure the IDE hard disk and system timers. Setting it to Disabled deactivates the power-management feature and its timers.	Enabled Disabled
IDE Hard Disk Standby Timer	Allows the hard disk to enter standby mode after inactivity of 1 to 15 minutes, depending on your setting. When you access the hard disk again, allow 3 to 5 seconds (depending on the hard disk) for the disk to return to normal speed. Set this parameter to Off if your hard disk does not support this function.	Off 1 minute 15 minutes

Parameter	Description	Option
System Sleep Timer	This parameter sets the system to the lowest power-saving mode after a specified period of inactivity. Any keyboard or mouse action or any activity detected from the IRQ channels resumes system operation.	Off On
Sleep Mode	Lets you specify the power-saving mode that the system will enter after a specified period of inactivity. This parameter becomes configurable only if the System Sleep Timer is on. Any keyboard or mouse action, or any enabled monitored activities occurring through the IRQ channels resume system operation.	Standby Suspend
Power Switch < 4 sec.	When set to Power off, the system automatically turns off when the power switch is pressed for less than 4 seconds. When set to Suspend, the system enters the suspend mode when the power switch is pressed for less than 4 seconds.	Power off Suspend
System Wake-up Event	The system wake-up event allows the system to resume operation when the modem ring indicator is enabled.	
Modem ring indicator	When enabled, any fax/modem activity wakes up the system from suspend mode.	Disabled Enabled
PCI Power Management	Enables or disabled the PCI power management function	Enabled Disabled
RTC Alarm	Allows you to set a certain time on a certain day to wake-up your system from suspend mode.	Disabled Enabled
Resume Day	If RTC alarm is enabled, the system will resume operation on the day indicated here.	User input
Resume Time	If RTC alarm is enabled, the system will resume operation at the time indicated here.	User input

Parameter	Description	Option
Restart on AC Power Failure	<p>When power failure occurs and this setting is enabled, the system will be turned on, when the power comes back, if the system was on.</p> <p>When power failure occurs and this setting is disabled, the system remains off when the power comes back, even if the system was on before the power failure occurs.</p>	Disabled Enabled

Boot Options

This option allows you to specify your preferred settings for bootup.

The following screen appears if you select **Boot Options** from the main menu:

Boot Options

Boot Sequence
 1st [Floppy Disk A:]
 2nd [Hard Disk C:]
 3rd [IDE CD-ROM]

Fast Boot.....[Auto]
 Silent Boot.....[Enabled]
 Num Lock After Boot.....[Enabled]
 Memory Test.....[Disabled]
 Release All Blocked Memory.....[Disabled]
 Boot from LANDesk ® Service Agent.....[Disabled]

Parameter	Description	Option
Boot Sequence	This parameter allows you to specify the boot search sequence during POST. 1st. The system checks this drive first. 2nd. The system then checks this drive if it can not boot from the 1st specified drive. 3rd. If the 1st and 2nd searches fail then system boots from this drive. BIOS will display an error message if the drive(s) specified is not bootable.	
Fast Boot	Allows the system to boot faster by skipping some POST routines	Disabled Auto

Parameter	Description	Option
Silent Boot	<p>Enables or disables the Silent Boot function. When set to Enabled, BIOS is in graphical mode and displays only an identification logo during POST and while booting. After booting the screen displays the operating system prompt (such as DOS) or logo (such as Windows 95). If any error occurs while booting, the system automatically switches to text mode.</p> <p>Even if your setting is Enabled, you may also switch to text mode while booting by pressing the Delete key when you see the "Press DELETE key to enter setup" message on the screen.</p> <p>When set to Disabled, BIOS is in the conventional text mode where you see the system initialization details on the screen</p>	<p>Enabled</p> <p>Disabled</p>
Num Lock After Boot	Allows you to activate the Num Lock function upon booting	<p>Enabled</p> <p>Disabled</p>
Memory Test	When set to Enabled, this parameter allows the system to perform a RAM test during the POST routine. When set to Disabled, the system detects only the memory size and bypasses the test routine.	<p>Enabled</p> <p>Disabled</p>
Release All Blocked Memory	When set to Enabled, this parameter allows the system to bypass testing the defective memory banks detected earlier	<p>Disabled</p> <p>Enabled</p>
Boot from LANdesk (R) Service Agent	When enabled, it intervenes in the LANdesk Service Agent boot process.	<p>Disabled</p> <p>Enabled</p>

Date and Time

The real-time clock keeps the system date and time. After setting the date and time, you do not need to enter them every time you turn on the system. As long as the internal battery remains good (approximately seven years) and connected, the clock continues to keep the date and time accurately even when the power is off.

————— Date and Time —————

Date.....[WWW MMM DD, YYYY]
 Time.....[HH:MM:SS]

Parameter	Description
Date	<p>Set the date following the weekday-month-day-year format. Valid values for weekday, month, day, and year are:</p> <p>Weekday: Sun, Mon, Tue, Wed, Thu, Fri, Sat Month: Jan, Feb, Mar, Apr, May, Jun, Jul, Aug, Sep, Oct, Nov, Dec Day: 1 to 31 Year: 1980 to 2079</p>
Time	<p>Set the time following the hour-minute-second format. Valid values for hour, minute, and second are:</p> <p>Hour: 00 to 23 Minute: 00 to 59 Second: 00 to 59</p>

System Security

The Setup program has a number of security features to prevent unauthorized access to the system and its data.

The following screen appears if you select **System Security** from the main menu:

System Security

Supervisor Password.....	[None]
User Password.....	[-----]
Password on Boot.....	[Disabled]
Disk Drive Control.....	[None]
Floppy Drive.....	[-----]
Hard Disk Drive.....	[-----]

Parameter	Description	Option
Supervisor Password	Prevents unauthorized access to the BIOS utility. The Present setting allows you to set a Supervisor password.	None Present
User Password	Secures your system against unauthorized use. Once you set this password, you have to type it whenever you boot the system. User password is available only when a Supervisor password is set. The Present settings allows you to set a User password.	None Present
Password on Boot	User is required to enter User password during boot up.	Disabled Enabled

Parameter	Description	Option
Disk Drive Control	The disk drive control features enable or disable the read/write functions of disk drives. These features can also control the diskette drive boot function to prevent loading operating systems or other programs from a certain drive while the other drives remain operational.	
Floppy Drive	Sets the control level of the floppy drive	Normal Write Protect All Sectors Write Protect Boot Sectors Disabled
Hard Disk Drive	Sets the controller of the IDE drive	Normal Write Protect All Sectors Write Protect Boot Sectors Disabled

Setting and changing the password

To set or change a Supervisor/User password:

- 1 Enable the Supervisor Password or User Password parameter in the System Security menu by pressing the **Up** or **Down** arrow key to select **Present**. The corresponding password window appears:

Supervisor Password window

————— Supervisor Password —————

Enter your new Supervisor Password twice. The Password may be up to 7 characters long.

Enter Password.....[xxxxxxxxx]
Enter Password again.....[xxxxxxxxx]

Set or Change Password

User Password window

————— User Password —————

Enter your new User Password twice. The Password may be up to 7 characters long.

Enter Password.....[xxxxxxxxx]
Enter Password again.....[xxxxxxxxx]

Set or Change Password

- 2 Type a password then press **Enter**. The password may consists of up to seven alphanumeric characters.



.....

Note: Be careful when typing your password because the actual characters do not appear on the screen; password characters appear as asterisks (*).

- 3 Retype the password to verify your first entry then press **Enter**.
- 4 Highlight the **Set or Change Password** option then press **Enter**.
- 5 Press **Esc** to return to the System Security screen.
- 6 Press **Esc** to exit Setup. The Exit Setup screen appears.
- 7 Choose **Yes** to save your settings and exit Setup. Your password will be saved to CMOS.

Removing a password

To remove your Supervisor/User password:

- 1 Disable the Supervisor Password or User Password parameter in the System Security menu by pressing the up or down arrow key to select **None**.
- 2 Press **Esc** to return to the System Security menu.
- 3 Press **Esc** to exit Setup. The Exit Setup screen appears:
- 4 Choose **Yes** to save your settings and exit Setup. Your previous password will be removed from CMOS.

IPMI Configuration

Intelligent Platform Management Interface

The system event log enables you to record and monitor events that occur in your system like system temperature changes, fan stops, and others. This feature also allows you to specify the appropriate settings for your system's event handling.

IPMI Configuration	
IPMI Specification Version.....	1.0
IPMI BIOS Version.....	1.0 000608
BMC Firmware Version.....	0.22
System Event Logging.....	[Enabled]
Clear Event Log Area.....	[Disabled]
Existing Event Log Number.....	[296]
Remaining Event Log Number.....	[296]
View Event Logs	
Event Control	
BIOS POST.....	[Disabled]
Memory ECC.....	[Enabled]
PCI Devices.....	[Enabled]
AC Power Lost/Recovery.....	[Disabled]
Hardware Watchdog.....	[Disabled]
BIOS POST Watchdog.....	[Disabled]

The following table describes the parameters in the IPMI configuration screen. Settings in **boldface** are the default and suggested parameter settings.

Parameter	Description	Option
IPMI Specification Version	Specifies the version of Intelligent Platform Management Interface (IPMI)	
IPMI BIOS Version	Shows the version of IPMI BIOS	

Parameter	Description	Option
BMC Firmware Version	Specifies the version of BaseBoard Management Controller (BMC) Firmware	
System Event Logging	Enables or disables the event logging function of your system	Enabled Disabled
Clear Event Log Area	Clears the event log whenever the event log area is full	Disabled Enabled
Existing Event Log Number	Number of events currently located in the event log area	
Remaining Event Log Number	Number of spaces that are still available for logging system events	
View Event Logs	Opens the system event log file for viewing	
Event Control		
BIOS POST	BIOS checks the bad processors and memory modules during POST. When this parameter is enabled, BIOS will stop POST operation whenever it finds a bad processor or memory. Otherwise, if disabled the system will continue running.	Disabled Enabled
Memory ECC	ECC (error correcting code) tests the accuracy of data as it passes in and out of memory. This parameter enables or disables the monitoring of this function.	Enabled Disabled
PCI Devices	PCI (Peripheral Component Interconnect) is a 32-bit bus that supports a 64-bit extension for new processors, such as Pentium processors. It can run at clock speeds of 33 or 66 MHz. This parameter monitors the activity of this bus when set to Enabled.	Enabled Disabled
AC Power Lost/Recovery	BMC will log AC power lost and recovery event.	Enabled Disabled

Parameter	Description	Option
Hardware Watchdog	If system hardware reset fails, BMC will power off system for 10 seconds, then power on again. It will try twice. If system still fails to power on, BMC will perform CPU reduction or power off the system.	Enabled Disabled
BIOS POST Watchdog	BIOS will have a watchdog for POST. If POST hangs up, BMC will reset the system. It will try twice. If POST still hangs up, BMC will power off the system.	Enabled Disabled

RDM Configuration

RDM Configuration

RDM v4.5 BIOS Version.....	000613
Console Redirection.....	[Disabled]
Hidden Partition.....	[Disabled]
Communication Protocol.....	[N,8,1]
COM Port Baud Rate.....	[57600]
Remote Console Phone number	[]
Dial Out Retry Times.....	[2]
Emergency Management	
RDM Work Mode.....	[Disabled]
Waiting Mode Password.....	[]
Paging Times.....	[]
Paging No.:	
1. []	[]
2. []	[]

Parameter	Description	Option
RDM v4.5 BIOS Version	Shows the version number of the RDM BIOS	
Console Redirection	This parameter lets you enable or disable the connection to the RDM manager station. If enabled and conditions are met, the RDM-enabled server automatically dials the RDM manager station using the phone number specified in the Remote Console Phone No. parameter when the server reboots. Once the connection is established, both the RDM server and RDM manager station display the same screen which enables the RDM manager station to function the same as the server console. Setting this to Disabled deactivates the RDM manager station.	Disabled Enabled

Parameter	Description	Option
Hidden Partition	If you want the hidden partition to become accessible, set this parameter to Enabled. When enabled, the server boots to the hidden partition.	Disabled Enabled
Communication Protocol	This parameter specifies the parity, stop bits, and data length for the COM port to use for the RDM connection. This is fixed at N(none), 8, 1 setting and is non-configurable.	N 8 1
COM Port Baud Rate	This parameter lets you set the transfer rate of the COM for the RDM connection. The parameter setting depends on your modem specification; therefore, before you change the setting of this parameter, check the documentation that came with your modem.	9600 57600
Remote Console Phone No.	This parameter allows you to set the phone number of the RDM manager station that the RDM module must dial once RDM is activated and the Remote Console is enabled. To set, simply highlight the parameter and enter the Remote Console phone number. If the remote console phone number is using an (X) line, then you must enter six commas (,) after the phone number and before the extension number, if any. When entering the extension number, we recommend that you insert a comma after each number. The commas specify delay. If this parameter is left blank, the Remote Console calling function is disregarded.	User input
Dial Out Retry Times	This parameter lets you specify the maximum number of times the RDM server must retry to connect to the RDM manager station once the server fails and RDM is activated. If the server has completed the specified number of tries and the connection still fails, the server bypasses RDM and goes into normal mode.	2 4 8 Infinite

Parameter	Description	Option
Emergency Management		
RDM Work Mode	<p>When detecting system failure, the RDM module will take some actions according to the enabled mode.</p> <p>Waiting: Page and wait for the RDM Station to call in</p> <p>Reboot: Page, then reboot</p> <p>Disabled: No action</p> <p>Note: If Waiting is selected, the password must be set to at least three alphanumeric characters.</p>	<p>Disabled</p> <p>Waiting</p> <p>Reboot</p>
Waiting Mode Password	Prevents unauthorized access to the server	User input
Paging Times	Allows you to set the number of times that the RDM module must dial when the server fails or hangs	<p>1</p> <p>2</p> <p>4</p> <p>8</p>
Paging No.	Allows you to set the pager number that the RDM module must dial when the server fails or hangs	User input

Load Default Settings

Use this option to load the default settings for optimized system configuration. When you load the default settings, some of the parameters are grayed-out with their fixed settings. These grayed parameters are not user-configurable.

The following dialog box appears when you select **Load Default Settings** from the main menu:

Do you want to load default settings?

[Yes] [No]

Select **Yes** to load the default settings.

Select **No** to ignore the message and return to the BIOS Setup utility main menu.

Abort Settings Change

Use this option to disregard the changes you have made to BIOS and reload your previous settings.

The following dialog box appears when you select **Abort Settings Change** from the main menu:

Do you want to abort settings change?

[Yes] [No]

Select **Yes** to disregard your changes and reload your previous settings. After reload, the main menu appears on the screen.

Select **No** to ignore the message and return to the BIOS Setup utility main menu.

Exit Setup

Examine the system configuration values. When you are satisfied that all the values are correct, write them down. Store the recorded values in a safe place. In the future, if the battery loses power or the CMOS chip is damaged, you will know what values to enter when you rerun Setup.

Press the **Esc** key to leave Setup. The following dialog box appears:

<p>Do you really want to exit SETUP?</p> <p>[Yes] [No]</p>

Use the arrow keys to select your response. Press the **Enter** key.

If you made any changes to the Setup utility, the dialog box below is displayed.

<p>Settings have been changed. Do you want to save to CMOS settings?</p> <p>[Yes] [No]</p>

Use the arrow keys to select your response. Select **Yes** to save the changes in CMOS. Select **No** to retain the previous configuration values. Press the **Enter** key to exit.

Appendix A: ASM Pro quick installation guide

This appendix shows you how to set up ASM Pro and its agent software.

Installing ASM Pro

System requirements

ASM Pro Console

- Intel Pentium or higher processor
- 64 MB of RAM (128 MB recommended)
- 20 MB free hard disk space
- Microsoft Windows 98, Windows NT, or Windows 2000 operating system
- Ethernet card
- Modem

ASM Pro Server Agent

- Intel Pentium or higher processor
- 64 MB of RAM (128 MB recommended)
- 20 MB free hard disk space
- Novell NetWare, SCO OpenServer, SCO UnixWare, Linux RedHat, Microsoft Windows NT, or Windows 2000 operating system
- Ethernet card
- Modem (optional for RAS/OOB¹)

System setup

Make sure that your computer meets the system requirements before proceeding. You may also want to change your screen to 800 x 600 resolution or higher for optimum viewing.

¹ RAS (Remote Access Services) and OOB (Out-of-Band)

Installing ASM Pro Console

To install ASM Pro Console:

- 1 Insert the **Management CD** into your system's CD-ROM drive.
- 2 Click the **Applications** button.
- 3 In the Applications list, select **Advanced System Manager (ASM) Pro Console V4.5**.
- 4 Click the **Setup** button.
- 5 Follow the Installation Wizard.
- 6 Click **Finish** to complete the installation.



.....
Note: Remember to remove all diskettes or CDs from the drives before rebooting the system.

Installing ASM Pro Server Agent

ASM Pro Server Agent can be installed on four different operating systems. The installation diskette contains the installation files for the following operating systems:

- Novell NetWare 5.0, 5.1
- SCO OpenServer 5.06
- SCO Unixware 7.1
- Microsoft Windows NT 4.0 Server
- Linux RedHat 6.2, 7.0
- Microsoft Windows 2000 (Server and Advanced Server with SP1, SP2)

Installing the Novell NetWare Server Agent



.....
Note: Make sure the SNMP (Simple Network Management Protocol) is configured properly.

ASM Pro Server Agent requires SNMP.NLM running with *Control Community set to 'public'* to allow ASM Pro Console to communicate with ASM Pro Server Agent.

ASMAGENT.NCF is the script file that loads all related modules of ASM Pro Server Agent. To load the SNMP use the following command:

```
load snmp control=public
```

If you load SNMP.NLM before ASM Pro Server Agent, make sure that the Control Community has been set up properly. For more information, please refer to related documents about the SNMP Agent for NetWare (NetWare SNMP).

Check AUTOEXEC.NCF to see if you have loaded SNMP. Notice that because of the auto loading feature of NLM, you can not directly find where SNMP is loaded. The most common module is TCPIP.NLM which auto loads SNMP.NLM. If you are using TCP/IP, load SNMP by using the command line *load snmp control=public* before loading TCPIP.

For NetWare 4.x and Netware 5.x users, if you are using INETCFG.NLM to configure the network, be sure to configure SNMP and make sure that the SNMP.NLM is running with *Control Community set to 'public'*.

To install the Novell NetWare Server Agent:

1 Insert the Management CD into your system's CD-ROM.

2 At Netware server console, type:

```
load cdrom.
```

3 At Netware server console,type:

```
load EB450MgmtCD:\APP\ASM\Netware\setup.
```

4 You are asked if you want to install the ASM Pro Server Agent on your system. Select **Yes** to install.

The setup program detects the NetWare version and the model of the server. It copies related NLM files into the SYS: SYSTEM directory and C: of your NetWare server, and some needed command lines are added into AUTOEXEC.NCF in SYS: SYSTEM.

5 If the Mylex GAM driver and GAM service is installed in your NetWare system, the setup program asks you to install the Bbp agent.

6 Press any key to continue. The ASM Pro Server Agent Configuration Utility is launched.

- The **Password** option is highlighted. Set up a password, and exit the utility.



.....

Note: A password is required when using the ASM Pro Console to remotely change or set any values for the agent, such as threshold values and any trap handling method. If the password is disabled, there is no security protection for the agent when the Console tries to change or set these values.

- Reboot the system to activate the ASM Pro drivers.



.....

Note: ASM Pro Server Agent automatically starts after the server is restarted and running.

Installing the SCO OpenServer Agent



.....

Note: Make sure the SNMP (Simple Network Management Protocol) is configured properly.

ASM Pro Server Agent requires SNMP running with *community* set to 'public' . The IP address of ASM Pro Console should be in */etc/snmpd.trap* so that ASM Pro Console can communicate with ASM Pro Server Agent.

Follow these steps to install the SCO Server Agent:

- Insert the Management CD into your system's CD-ROM drive.
- Login SCO OpenServer as a super user.
- In shell prompt, type the following to mount CD-ROM:


```
mount /dev/cd0 /mnt/cd.
```
- In shell prompt, type:


```
In -s /mnt/cd/APP/ASM/SCOPE~1/ASMIPMI.DD /tmp/OL.000.000.
```
- In shell prompt, type:


```
custom.
```
- Follows custom command UI, select **Software** -> **Install New** -> **From ...** -> **Media Images** -> **/tmp**.



Note: If the SCO Server Agent has been installed, the program asks if you want to preserve the existing config file. Choose **Reinstall** to overwrite the previously installed SCO Server Agent, or choose **Upgrade** if you know the existing password.

- 7 A password is required for a new installation. The system prompts you to enter a new password, and after you have entered it once, prompts you to reenter it.
- 8 After you set up the password, select the **SNMP_Config** option, and enter the IP address of the ASM Pro Console system. (You can run `asmconfig` at a later time to add or change the ASM Pro Console IP address. See the ASM Pro Server Agent Utilities chapter in the ASM Pro manual for information about running `asmconfig`.)



Note: If the SCO Server Agent has been installed, target IP addresses appear on this screen.

- 9 After the installation is complete, in shell prompt, type:

```
rm /tmp/VOL.000.000.
```

Configuring ASM Pro Server Agent for SCO OpenServer

You may disable the password if you are installing ASM Pro Server Agent to use only UPS (Uninterruptible Power Supply) or RDM functions.

You can use the `asmconfig` utility to set up a password for the agent. A password is required when you are using ASM Pro Console to remotely change or set any values for the agent.

Refer to the ASM Pro Server Agent Utilities chapter in the ASM Pro manual for instructions on how to use the `asmconfig` utility.

Installing the SCO UnixWare Server Agent



Note: All of the following procedures require root permission.

To install the SCO UnixWare Server Agent:

- 1 Prepare the ASM Pro installation diskette from the DD file on the ASM Pro package CD-ROM.

- 2 Mount the CD-ROM drive. For example, mount the CD-ROM to /mnt.
- 3 Insert an empty 1.44-MB diskette into your floppy drive and execute the command:

```
# dd if={PATH}/asmuw.dd of=/dev/rdisk/f03ht
```

Here, {PATH} denotes the directory where asmuw.dd is located. For example, /mnt/UnixWare.

- 4 Insert the ASM Pro installation diskette into your floppy drive and, at the shell prompt, execute this command to begin ASM Pro installation:

```
# pkgadd -d diskette1 asm
```

The installation process copies the ASM Pro Server Agent package into the /usr/asm directory, and automatically makes changes to the following system configuration files:

```
/etc/netmgt/snmpd.comm
```

```
/etc/netmgt/snmpd.peers
```

```
/etc/inittab
```

After the installation is complete, ASM Pro Server Agent can be manually started by executing the command:

```
# /usr/asm/asmsmuxd
```

or it will be automatically started on the next system reboot.



Note: Before starting ASM Pro SMUX Agent asmsmuxd, execute the ASM Pro Agent Configuration Utility asmcfg to configure at least "SNMP", "ASM Pro_Password" and other parameters. Refer to "Chapter 4 - ASM Pro Server Agent Utilities" in the ASM Pro manual for detailed instructions on using the ASM Pro Configuration Utility.

Installing the Microsoft Windows NT V4.0 Server or Windows 2000 Server/Advanced Server Agent



Note: Before installing the ASM Pro software, make sure that the TCP/IP and its related SNMP service are installed on the server.

To install Microsoft Windows NT V4.0 Server or Windows 2000 Server/Advanced Server Agent :

- 1 Insert the Management CD into your system's CD-ROM drive.
- 2 Click the **Applications** button.
- 3 In the Applications list, select "**Advanced System Manager (ASM) Pro Agent V4.50**".
- 4 Click the **Setup** button.
- 5 Follow the onscreen installation steps to complete the installation.
- 6 Verify the path (where the ASM Pro Agent will be installed to) and click **OK**. The Welcome screen appears.
- 7 Click **Next**. You are asked to stop SNMP service.
- 8 Click **Yes**. You are prompted to choose a destination directory. If you only want to install ASM Pro SNMP agent and Remote Console, you can choose **Typical**. If you want to choose more components, click **Custom**. There are five components in the ASM Pro agent:
 - SNMP agent
 - DMI

ASM Pro agent defines a proprietary ASM Pro.MIF that supports the same items as the SNMP agent.
 - Server Mif

The server.mif that is defined by DMTF will be installed.
 - Remote Console

The Remote Console Server is installed which can be remote control by Remote Console Client
 - MMC

This component is only supported on Windows 2000 and is integrated with the Microsoft Mangement Console.
- 9 Click **Next** for the default directory, or click **Browse** to define your own destination directory. Check any components you want to install, and click **OK**.

The `asmcfg` utility launches automatically.

You may skip steps 7 through 11 if you are installing ASM Pro Server Agent solely for the purpose of utilizing UPS and/or RDM functions.

- 10 Enter a password and click **OK**. A password is required when using the ASM Pro Console to remotely change or set any value for the NT Agent. If the password is disabled, there is no security protection for the agent when the ASM Pro Console tries to change or set these values.
- 11 Enter the IP address of the ASM Pro Console system, then click **ADD** to add trap destinations. Click **OK** to end the `asmcfg` utility. This IP address tells the Agent where to report (trap).
- 12 Click **Yes** to save your changes. The View Readme File dialog box appears.
- 13 Click **Yes** to view, **No** to continue.
- 14 Click **Finish** to exit setup.

Installing the RedHat Linux Server Agent

Follow these steps to install the Red Hat Linux Agent:

- 1 Insert the Management CD into your system's CD-ROM drive.
- 2 Login Linux server as a super user.
- 3 In shell prompt, type the following to mount CD-ROM:

```
mount /dev/hdX /mnt/cdrom.
```
- 4 In shell prompt, type the following to change to the new directory:

```
cd /mnt/cdrom/App/ASM/Linux.
```
- 5 In shell prompt, type the following to install ASM Pro SNMP agent:

```
/bin/rpm -i asmpro-agent-4.5-4.rh62.i386.rpm.
```
- 6 In shell prompt, type the following to configure "SNMP_Config" to receive trap:

```
/usr/local/share/asm/asmcfg.
```
- 7 In shell prompt, type the following to start ASM Pro agent:

```
/usr/local/share/asm/asm-snmpd start.
```
- 8 In shell prompt, type the following to stop ASM Pro agent if necessary:

```
/usr/local/share/asm/asm-snmpd stop.
```


Installing RDM

This section gives step-by-step instructions on how to install the RDM function in the agent and console side of the ASM Pro software.

System requirements

Before you begin the installation, make sure that you have the following:

RDM server requirements

Hardware

- External modem
- Pager

Software

- Novell NetWare v4.1 or later, and/or
- SCO OpenServer 5.0 or later, and/or
- Microsoft Windows NT 4.0 or later, and/or
- SCO UnixWare 7.0 or later
- RedHat Linux 6.2 or 7.1
- ASM Pro (Advanced System Manager Pro) agent

RDM Console requirements

Hardware

- Pentium or faster PC
- At least 16 MB RAM
- At least 5 MB free hard disk space
- Modem

Software

- Microsoft Windows 98, Microsoft NT Workstation 4.0, or Windows 2000
- ASM Pro 4.5 Console

Connecting communication peripherals

Modem

The Server and the RDM Console communicate via modem protocol. Therefore, you need to connect an external modem with a baud rate of not less than 9600 baud to both systems. To connect an external modem, connect the RS232C serial cable to the modem data port and the appropriate COM port of the system.



Note: Use only modems that are purchased locally to ensure compatibility with your telephone system. The modem must have a transfer rate of at least 28.8K.

When the modem is turned ON, the CD/DCD (Carrier Detect/Data Carrier Detect) signal light on the front panel must be OFF for RDM to function properly. If this is not the case, refer to the modem's user's guide and check the section on DIP switches for information on how to adjust the CD/DCD light. If your modem does not have a DIP switch, then we recommend that you replace it with another model that supports such switches.

Telephone

To connect the modem to a telephone outlet, plug in the telephone connector to the telephone outlet. Then, insert the telephone line connector to the modem line port.

Pager

The pager is necessary for notification purposes only.

Post-installation instructions.

- Make sure the modem cables are properly connected.

- Turn on the system and the peripherals connected to it.

Installing RDM Utilities

You must do the following to ensure successful installation of the RDM Utilities:

- 1 If you have created a RDM hidden partition through EasyBuild System CD, skip step 2.
- 2 Create a RDM hidden partition.

The RDM hidden partition is a DOS partition on the hard disk that allows you to run preinstalled diagnostic tools when necessary, without using a diskette or a CD. It also allows you to access your system from a remote RDM console.

To create a RDM hidden partition, do the following:

- a Prepare a "clean" hard disk, i.e., a hard disk without any operating system installed on it.
- b Create a bootable RDM floppy diskette using the Management CD of EasyBuild.
- c Insert the RDM floppy diskette into the floppy drive.
- d After booting from the floppy drive, use the DOS FDISK command to create a DOS partition. The minimum partition size is 33 MB.
- e Activate the partition and exit FDISK; then reboot the system.
- f Format the DOS partition. When formatting is completed, label the partition as RDM for easy identification.
- g Install (or transfer) the DOS operating system to the partition.
- h Run `\RDM\install.bat*` from the RDM floppy diskette to install the RDM driver and hide the RDM partition. These settings will take effect only after you reboot the system.

After you create the hidden partition, you can now install other operating systems on the same hard disk. But before doing so, make sure that the Hidden Partition parameter in the RDM BIOS is set to Disabled. For more information on RDM BIOS, refer to RDM BIOS chapter of the ASM Pro manual.



.....

Important: If you are using an IDE hard disk with a capacity less than 540 MB, make sure that you disable the LBA mode. Otherwise, you will be required to use the LBA mode that you set

for the other operating systems when you create the RDM hidden partition.



Note: When you boot the system to the hidden partition, you cannot use other utilities (e.g., FDISK.EXE) to change the hidden partition settings.

Deleting the hidden partition



Important: You cannot recreate the RDM hidden partition once you delete it. Before proceeding, make sure that you will not need to create a hidden partition in the future.

Follow these steps to delete the hidden partition:

- a Insert a bootable diskette into the floppy drive.
 - b Enter the BIOS Setup and set the Hidden Partition parameter in the RDM BIOS to Enabled.
 - c After the system boots from the floppy drive, use FDISK to delete the RDM hidden partition. Do not delete other partitions or change or reformat the active partition.
 - d Exit FDISK and reboot the system.
 - e Enter the BIOS Setup and set the Hidden Partition parameter in the RDM BIOS to Disabled.
- 3 Install an operating system.

RDM supports the following operating systems:

- Novell NetWare
- Microsoft Windows NT and Windows 2000
- SCO OpenServer
- SCO UnixWare
- RedHat Linux

You can install any or all of the operating systems. For the installation instructions, refer to the documentation that came with the OS package.

- 4 Install the ASM Pro Server Agent.



Note: Before you proceed, make sure that you have installed the necessary components and peripherals, for both the RDM server and RDM Console.

The ASM Pro Server Agent driver or the server driver is contained in the Advanced System Manager Pro (ASM Pro) software package. Therefore, to install the ASM Pro Server Agent driver, you need to install the ASM Pro agent software. For information on how to install the ASM Pro software, refer to the documentation that comes with the ASM Pro package.

RDM Console setup

This section describes how to install and uninstall the RDM Console software.

Installing the RDM Console software



Important: Before you proceed, make sure that you have installed the necessary components and peripherals, both for the RDM server and RDM console.



Note: The RDM Console software can be installed only under Windows NT 4.0/Workstation or Windows 95/98/2000.

The RDM function is one component of the ASM Pro 4.5 Console software.

Follow these steps to install the RDM Console software:

- 1 Turn on the system.
- 2 Turn on all peripherals connected to the system such as the monitor, modem, etc.
- 3 Install ASM Pro Console. Run the installation program, i.e., SETUP.EXE. The Setup Program Welcome screen appears.
- 4 For typical installation in ASM Pro Console, the RDM Console will be installed. In Custom mode, user can choose to install RDM Console or not.

- 5 Continue to finish the installation of ASM Pro Console.

Uninstalling the RDM Console software

RDM Console software can only be uninstalled within ASM Pro Console package.

Installing AWM and Microsoft Internet Information Service (IIS)



Note: You have to install Microsoft IIS before installing AWM. If your system already have Microsoft IIS installed then AWM automatically configures IIS. Skip the "Setting up Microsoft IIS" section if this is the case.

System requirements

- Intel 486 or higher processor
- 64 MB of RAM
- 10 MB free hard disk space
- Windows NT Server 4.0 or Windows 2000 with the following:
 - Microsoft Internet Information Server 2.0 or later (5.0 is recommended)
 - Microsoft Active Server Pages (ASP)
 - SNMP Service
- Ethernet card
- Modem

Installing AWM



Note: AWM and ASM Console can not be installed in the same system.

To install AWM:

- 1 Insert the Management CD into your system's CD-ROM drive.
- 2 Click the **Applications** button.
- 3 In the Applications list, select **ASM Pro Web-based Manager V4.50 (AWM)**.
- 4 Click the **Setup** button.
- 5 Follow the Installation Wizard.

- 6 Click **Finish** to complete the installation.



Note: For Windows NT 4.0, AWM will automatically install WbEM core or WbEM SNMP Provider if not installed. For Windows 2000, the WbEM core is built-in. AWM will only install the WbEM SNMP Provider if it is not yet installed. After installing either of these components, reboot your system.

Setting up Microsoft IIS

To set up Microsoft IIS:

- 1 Open your IIS configuration program and check the virtual directory setting. The IIS setup program is located in the Windows NT Server Optional CD. You can also download it from the Microsoft Website.
- 2 Check the virtual directory. If there is no virtual directory for AWM, create one and name it AWM. Point it to the directory where the AWM main files are installed (e.g. D:/AWM).



Note: If you have IIS version 5.0 the directory is automatically added.

AWM Properties [?] [X]

Virtual Directory | Documents | Directory Security | HTTP Headers | Custom Errors

When connecting to this resource, the content should come from:

- A directory located on this computer
- A share located on another computer
- A redirection to a URL

Local Path: Browse...

Script source access Log visits

Read Index this resource

Write

Directory browsing

Application Settings

Application name: Remove

Starting point: <Default Web Site>\AWM Configuration...

Execute Permissions: Configuration...

Application Protection: Unload

OK Cancel Apply Help

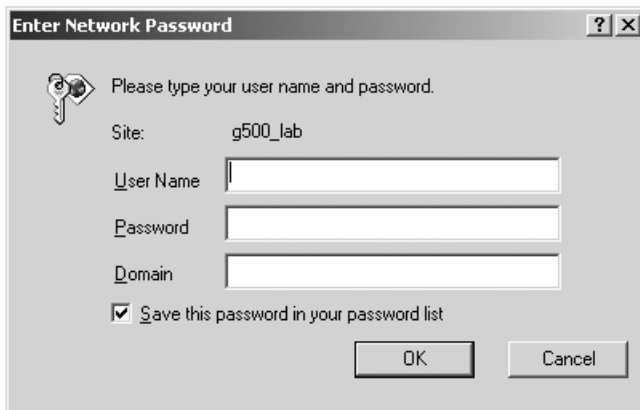
- 3 After adding the virtual directory, click **OK** to save changes and exit.

Running AWM

Type this address in your browser:

`http://{IPADDRESS}/AWM`

The password window appears prompting for authentication as shown below.



Enter Network Password

Please type your user name and password.

Site: g500_lab

User Name

Password

Domain

Save this password in your password list

OK Cancel

To access AWM, enter your user name, password and domain, then click **OK**.

AWM confirms the user name, password and domain, then displays the main page.

Index

A

- Advanced Desktop Agent
 - System Requirements 95
- Advanced Server Agent
 - System Requirements 95
- Advanced System Manager (ASM)
 - System Requirements 95
- ASM Console
 - installation 96
- ASM Server Agent
 - configuring SCO Openserver Agent 99
 - installing Microsoft Windows NT Agent 100
 - installing Novell Netware Agent 96
 - installing SCO Openserver Agent 98
 - installing SCO Unixware Agent 99

B

- basic connections 21
 - keyboard 21
 - monitor 23
 - mouse 22
 - network 24
 - power cable 25
- BIOS Setup utility 61
 - Abort Settings Change 91
 - Advanced Options 90
 - Boot Options 77
 - Date and Time 79
 - Disk Drives 67
 - entering 62
 - Exit Setup 92
 - IPMI Configuration 84
 - Load Default Settings 90
 - Onboard Peripherals 71
 - Power Management 74
 - Product Information 66
 - RDM Configuration 87
 - System Information 64
 - System Security 80

- removing password 83
- setting/changing password 81

- Supervisor password 80
- User password 80

- BPL5M hotswap cage
 - components 45

C

- computer maintenance
 - diskettes 18
- connecting options
 - printer 29
 - USB devices 30
- CPU 48
 - installing 51
 - removing 48

D

- DIMM
 - installing 54
 - removing 53
- disk drives 18
 - CD-ROM drive 19
 - inserting 19
 - taking care CDs 19
 - floppy drive 18
 - not write protect 18
 - write protect 18

E

- expansion card
 - installing 56
- external system fan
 - installing 58

K

- keyboard 15

M

- Microsoft Windows NT
 - installation 100
- mouse 17
 - buttons 17
 - clicking 17
 - double-click 17
 - ratchet wheel 17

N

- Novell Netware Agent

installation 96

S

SCO Openserver Agent
 configuring for ASM Server Agent 99
 installation 98
SCO Unixware Agent
 installation 99
system memory 53
 reconfiguring 55

T

turning off your system 28

turning on your system 26
 power-on problems 27

U

upgrade
 installation precautions 33
 ESD 33
 post-installation 34
 preinstallation 33

V

VGA card retainer 41